

PLANTING NOTES

- THE LANDSCAPE PLAN SHALL BE USED FOR LANDSCAPING PURPOSES ONLY. THE CONTRACTOR SHALL EXAMINE ALL ENGINEERING DRAWINGS AND FIELD CONDITIONS FOR EXACT LOCATIONS OF UTILITIES, DRAINS, ETC., AND NOTIFY THE OWNER ABOUT ANY DISCREPANCIES BEFORE STARTING WORK.
- ALL PLANT MATERIALS USED SHALL BE TRUE TO NAME AND SIZE IN CONFORMITY WITH THE CURRENT EDITION OF THE AMERICAN STANDARD OF NURSERY STOCK AND SHALL BE TYPICAL OF THEIR SPECIES OR VARIETY. ALL PLANTS SHALL HAVE NORMAL, WELL-DEVELOPED BRANCHES AND VIGOROUS ROOT SYSTEMS. THEY SHALL BE SOUND, HEALTHY, VIGOROUS, FREE FROM DEFECTS, DISFIGURING KNOTS, ABRASIONS OF THE BARK, SUN SCALD INJURIES, PLANT DISEASES, INSECT EGGS, BORERS, AND ALL OTHER FORMS OF INFECTION. ALL PLANTS SHALL BE NURSERY GROWN. ALL PLANT MATERIAL SHALL BE TAGGED AT THE NURSERY SOURCE AND APPROVED BY THE COUNTY PRIOR TO PLANTING.
- THE CONTRACTOR WILL BE HELD RESPONSIBLE FOR ANY DAMAGE TO EXISTING UTILITIES CAUSED BY ANY PERSON, VEHICLE EQUIPMENT, OR TOOLS RELATED TO THE EXECUTION OF THIS CONTRACT.
- EXCAVATION NEAR EXISTING UTILITIES TO BE CAREFULLY PERFORMED BY HAND.
- ALL PLANT MATERIAL SHALL BEAR THE SAME RELATION TO FINISHED GRADE AS IT BORE TO EXISTING GRADE AT THE NURSERY. ALL PLANT MATERIAL SHALL BE PLANTED SO THAT THE TOP OF THE ROOTBALL IS NO HIGHER OR LOWER THAN THE EXISTING/FINISHED GRADE DEPENDENT UPON SOIL CONDITIONS.
- IN THE EVENT THAT PLANTING DISCREPANCIES OR MATERIAL OMISSIONS OCCUR IN THE PLANT MATERIAL LIST, THE LANDSCAPING PLAN SHALL GOVERN. THE USE AND PLANTING OF BARE ROOT MATERIAL SHALL BE PROHIBITED.
- ALL PLANT MATERIAL IS TO BE GUARANTEED FOR A PERIOD OF 12 MONTHS FROM TIME OF THE PROJECTS FINAL ACCEPTANCE. ANY PLANTS THAT ARE DEAD OR IN AN UNHEALTHY CONDITION SHALL BE REPLACED AFTER BEING NOTIFIED BY THE OWNER. ANY PLANTS BEING REPLACED SHALL BE AT THE CONTRACTORS EXPENSE AND COMPLETED WITHIN TWO (2) WEEKS OF NOTIFICATION. THE REPLACEMENT PLANTS SHALL BE OF AN EQUAL CALIPER AND HEIGHT OR GREATER THAN THAT WHICH WAS SPECIFIED.
- ANY SUBSTITUTIONS OF PLANT MATERIAL WITH REGARDS TO SIZE, SPECIES, VARIETY, ETC., SHALL BE SUBJECT TO APPROVAL BY THE OWNER.
- PRUNE NEWLY PLANTED TREES AS DIRECTED BY THE PROJECT LANDSCAPE ARCHITECT. PLANTS SHALL ONLY BE INSTALLED WHEN THE SOIL IS FROST FREE. ALL DEAD OR DYING TREES, STANDING OR FALLEN, SHALL BE REMOVED FROM THE SITE. ALL PLANT DEBRIS IS TO BE REMOVED FROM THE SUBJECT SITE AT THE COMPLETION OF CONSTRUCTION. CONTAINER GROWN TREES AND OTHER TREE PARTS OR OTHER DEBRIS SHALL BE REMOVED FROM THE SITE AND DISPOSED OF IN ACCORDANCE WITH THE LAW.
- UNDER NO CIRCUMSTANCES SHOULD THE MAIN LEADER OF A DECIDUOUS OR EVERGREEN TREE BE TOPPED. DECIDUOUS TREES SHALL BE PRUNED BY REMOVAL OF 1/3 OF THE INTERIOR BRANCHING STRUCTURE WITHOUT ALTERING THE ORIGINAL BRANCHING FORM OF THE TREE.
- ALL DISTURBED AREAS TO BE TOPSOILED 4" THICK, FERTILIZED, SEEDED, AND MULCHED WITH APPROVED MULCH. TOPSOIL SHALL BE NATURAL, FERTILE SOIL CHARACTERISTIC OF PRODUCTIVE SOIL IN THE VICINITY. IT SHALL BE FREE OF LUMPS OF CLAY, STONES, ROOTS, AND OTHER FOREIGN MATTER.
- CUT AND LOOSEN SISAL HEMP CHOKE TIE AROUND TREE TRUNK. ALL PLASTIC MATERIAL SHALL NOT BE PERMITTED. ALL WIRE BASKETS AND PLASTIC LINERS OF CONTAINER GROWN TREES AND SHRUBS MUST BE COMPLETELY REMOVED. NO CONTAINER GROWN MATERIAL WILL BE ACCEPTED IF IT IS ROOT BOUND AND NOT ROOT PRUNED. THE USE OF NYLON TWINE ON ROOT BALLS IS PROHIBITED.
- THE DEPTH OF PLANT PITS SHALL BE INCREASED BY 12" THROUGH THE ADDITION OF LOOSE AGGREGATE (3/4" TO 1 1/2" DIAMETER) WHEREVER POOR DRAINAGE OCCURS OR WHERE DIRECTED BY THE TOWNSHIP.
- GUY WIRES SHALL BE LOCATED SO THAT THEY WILL NOT PULL CROUCH APART. GUY WIRES TO SECOND BRANCH (MINIMUM ONE-THIRD HEIGHT OF TREE). USE THREE GUYS PER TREE UNLESS OTHERWISE INDICATED. ALL TREE STAKES, GUY WIRES, TREE WRAPPING AND SAUCERS SHALL BE REMOVED AFTER 24 TO 30 MONTHS AFTER PLANTING.
- PLANTS PLANTED IN ROWS SHALL BE MATCHED SPECIMENS AND BE UNIFORM IN SIZE AND FORM.
- EXISTING VEGETATION TO REMAIN SHALL BE PROTECTED WITH SNOW FENCE DURING CONSTRUCTION. EXISTING TREES SHALL REMAIN WHERE INDICATED ON THE PLANS.
- IN THE EVENT THAT EXISTING VEGETATION IS REMOVED BEYOND THE CLEARING LIMITS SHOWN ON THE PLANS, ADDITIONAL PLANTING MUST BE PROVIDED AS APPROVED BY THE PROJECT LANDSCAPE ARCHITECT AND AT NO COST TO THE OWNER.
- PLANTING BACKFILL MIXTURE SHALL CONSIST OF ONE PART PEAT MOSS, ONE PART HUMUS AND ONE PART PARENT MATERIAL (ALL MIX THOROUGHLY) TO WHICH SHALL BE ADDED AND MIXED IN TWO POUNDS OF BONE MEAL OR IT EQUIVALENT. NOTE THAT PLANTING MIXTURE MAY CHANGE BASED UPON SOIL CONDITIONS.
- MULCH, 4" IN DEPTH, SHALL BE TREATED SHREDDED HARDWOOD BARK, CLEAR HARDWOOD CHIPS NOT EXCEEDING 2" IN GREATEST DIMENSION. A NON-PLASTIC WEED RETARDANT BARRIER SHALL BE USED IN ALL NON GRASSED AREAS OR LICORICE ROOT. MULCH SHALL BE FINE GRADED FOR A PLEASING APPEARANCE. THE USE OF MARBLE CHIPS IS PROHIBITED. MULCHING SHALL OCCUR WITHIN 2 DAYS AFTER PLANTING.
- PLANTING MATERIAL SHALL BE GIVEN A MINIMUM OF 5 GALLONS OF WATER AT THE TIME OF INSTALLATION AND SHALL BE WATERED AT INTERVALS DURING ESTABLISHMENT TO ENSURE ADAPTATION TO THE SITE. PRIOR TO THE INSTALLATION OF THE PLANT MATERIAL, THE CONTRACTOR SHALL FILL EACH PLANTING PIT WITH WATER AND ALLOW IT TO FULLY PERCOLATE INTO THE GROUND PRIOR TO PLACEMENT OF THE PLANT. THE CONTRACTOR SHALL NOTIFY THE LANDSCAPE ARCHITECT OF ANY PERCOLATION PROBLEMS PRIOR TO INSTALLATION.
- PREFERRED PLANTING TIME PERIODS ARE FROM SEPTEMBER 1 TO NOVEMBER 30 OR MARCH 20 TO MAY 31. NO PLANTING SHALL BE EXECUTED DURING ABNORMALLY HOT WEATHER NOR WHEN THE GROUND IS FROZEN.
- THE CONTRACTOR SHALL REMOVE ALL DAMAGED BRANCHES AND NURSERY TAGS AT THE TIME OF INSTALLATION.
- ALL TURF SHALL RECEIVE FERTILIZER CONSISTING OF 10-6-4 (50% ORGANIC) COMPOSITION, APPLIED AT 3 LB. PER 100 SQ. FT. SLOW RELEASE FERTILIZER TABLETS OR PACKETS OF 20-10-5 COMPOSITION SHALL BE ADDED TO ALL PLANTING PITS AT THE FOLLOWING RATIOS: 1 PER SHRUB, 2 PER DECIDUOUS OR EVERGREEN TREES UP TO 2" IN CALIPER AND 3 FOR DECIDUOUS AND EVERGREEN TREES ABOVE 2" IN CALIPER.
- EACH TREE THAT IS PLANTED MUST BE TAGGED WITH A DURABLE LABEL BEARING THE GENUS, SPECIES, VARIETY, PLANT PATENT NUMBER (IF APPLICABLE) AND CULTURAL REQUIREMENTS AND MUST BE INSPECTED PRIOR TO REMOVAL.
- ALL SHADE TREE BRANCHES TO START NOT LESS THAN 6 FEET FROM THE CROWN OF THE ROOT SYSTEM.
- CONTRACTOR TO APPLY (4) MIL POLYETHYLENE OR ITS EQUIVALENT MUST BE USED TO REDUCE WEED GROWTH TO ALL PLANTING BEDS WHERE MULCH IS TO BE USED.
- CONTRACTOR TO TAG EACH TREE WITH A DURABLE LABEL BEARING THE GENUS, SPECIES, VARIETY, CULTURAL REQUIREMENTS, INCLUDING WATERING AND FERTILIZATION.
- CONTRACTOR TO REMOVE ALL STUMPS, TREE PARTS, LITTER, BRUSH, WEEDS, EXCESS SCRAP BUILDING MATERIALS AND OTHER DEBRIS FROM THE SITE AND DISPOSE OF IT IN ACCORDANCE TO THE LAW. NO TREE STUMPS, PORTIONS OF TREES OR LIMBS SHALL BE BURIED ANYWHERE ON SITE.
- EXCAVATIONS FOR PLANTINGS MUST BE NOT LESS THAN 18 INCHES DEEP AND NOT LESS THAN 30 INCHES IN DIAMETER. A SEEPAGE AREA SHALL BE PROVIDED BY LOOSENING THE SOIL TO A DEPTH OF ONE FOOT BELOW THE EXCAVATION.
- THE DEBRIS FROM THE PROPOSED PLANT MATERIAL SHALL BE REMOVED AT THE END OF CONSTRUCTION. THE PROPERTY WILL BE LEFT IN A NEAT AND ORDERLY CONDITION IN ACCORDANCE WITH GOOD AND ACCEPTED PLANTING PRACTICE.
- NO MATERIAL OR TEMPORARY SOIL DEPOSITS SHALL BE PLACED WITHIN 6 FT OF ANY TREE OR SHRUBS DESIGNATED TO BE RETAINED ON THE LANDSCAPE PLAN.
- ALL AREAS WITHIN THE LIMITS OF DISTURBANCE THAT ARE NOT PLANTED OR IMPROVED WILL BE HYDROSEEDDED. HYDROSEEDING IS IN ACCORDANCE WITH THE LOCAL SOIL CONSERVATION DISTRICT.
- THE TRAFFIC CIRCLE AND THE AREA WITHIN FRONT OF THE NEW RESTROOM ARE TO RECEIVE SOO. THE CONTRACTOR WILL BE RESPONSIBLE FOR PROVIDING IRRIGATION TO BOTH AREAS. THE AREAS SHALL BE SPRINKLED ONLY, NO DRIP IRRIGATION. THE IRRIGATION CONTROLLER SHALL BE HOUSED IN THE NEW RESTROOM STORAGE AREA. THE IRRIGATION SHALL BE FED FROM THIS BUILDING. THE IRRIGATION RAIN SENSOR SHALL BE LOCATED ON THIS BUILDING.

NOTES:

ALL TREES SHALL BE PRUNED TO THIN AND SHAPE CANOPY. DO NOT CUT CENTRAL LEADER. SEE PRUNING DETAIL.

TREE SHALL BEAR SAME RELATION TO FINISHED GRADE AS IT BORE TO PREVIOUS GRADE

SET STAKES VERTICAL AND AT SAME HEIGHT

STAKING MATERIAL SHALL BE WHITE CEDAR, RED CEDAR, OAK, OR LOCUST. STAKES SHALL BE TREATED WITH AN ACCEPTABLE WOOD PRESERVATIVE.

TREE WRAP TO BE FASTENED AT EACH END WITH A MATERIAL THAT WILL PERMIT TREE GROWTH WITHOUT GIRDLING.

STAKES SHALL BE WHITE OR RED CEDAR, OAK, OR LOCUST TREATED WITH ACCEPTABLE WOOD PRESERVATIVE.

STAKES SHALL BE SETS FOOT ABOVE FINISHED GROUND LEVEL. GUY WIRES TO BE SET 2/3RDS UP TREE OR JUST AT FIRST BRANCHES

SEE TREE STAKING AND GUYING DETAIL

TREE SHALL BE WRAPPED WITH AN EXPANDABLE PAPER FOR AT LEAST ONE (1) YEAR. WRAP EXTENDS SHALL EXTEND FROM GROUND LEVEL UP TO FIRST BRANCH.

4" OF MULCH KEEP MULCH AWAY FROM ROOT COLLAR

6" MULCH MOUND FOR WATER RETENTION (TYP.)

REMOVE ALL PLASTIC MATERIAL SYNTHETIC BURLAP AND STRING OR CONTAINERS TO BE REMOVED AT THE TIME OF PLANTING

BACKFILL WITH TOPSOIL

STAKES TO EXTEND TWO FEET INTO UNDISTURBED GROUND

ROOTBALL TO BE PLACED ON UNDISTURBED SUBSOIL

DECIDUOUS TREE PLANTING DETAIL

NOT TO SCALE

NOTES:

- ALL EVERGREEN TREES TO BE STAKED AND/OR GUYED AS SPECIFIED IN THE DETAIL AND THE PLANTING NOTES
- TREE SHALL BEAR SAME RELATION TO FINISHED GRADE AS IT BORE TO PREVIOUS GRADE.
- NEVER CUT LEADERS.
- PRUNE ONLY TO REMOVE DAMAGED OR BROKEN BRANCHES. SEE TREE PRUNING DETAIL.
- STAKES SHALL BE WHITE OR RED CEDAR, OAK, OR LOCUST TREATED WITH ACCEPTABLE WOOD PRESERVATIVE.

SET 3 STAKES OR GUYS 1/2 TO 2/3RDS UP HEIGHT OF TREE. SEE TREE STAKING AND GUYING DETAIL

4" OF MULCH KEEP MULCH AWAY FROM ROOT COLLAR (SEE PLANTING NOTES FOR MATERIAL TYPES)

REMOVE ALL PLASTIC MATERIAL SYNTHETIC BURLAP AND STRING OR CONTAINERS TO BE REMOVED AT THE TIME OF PLANTING

PLANTING MIXTURE AS SPECIFIED IN PLANTING NOTES

FERTILIZER TABLET/PACKET (2 OR 3)

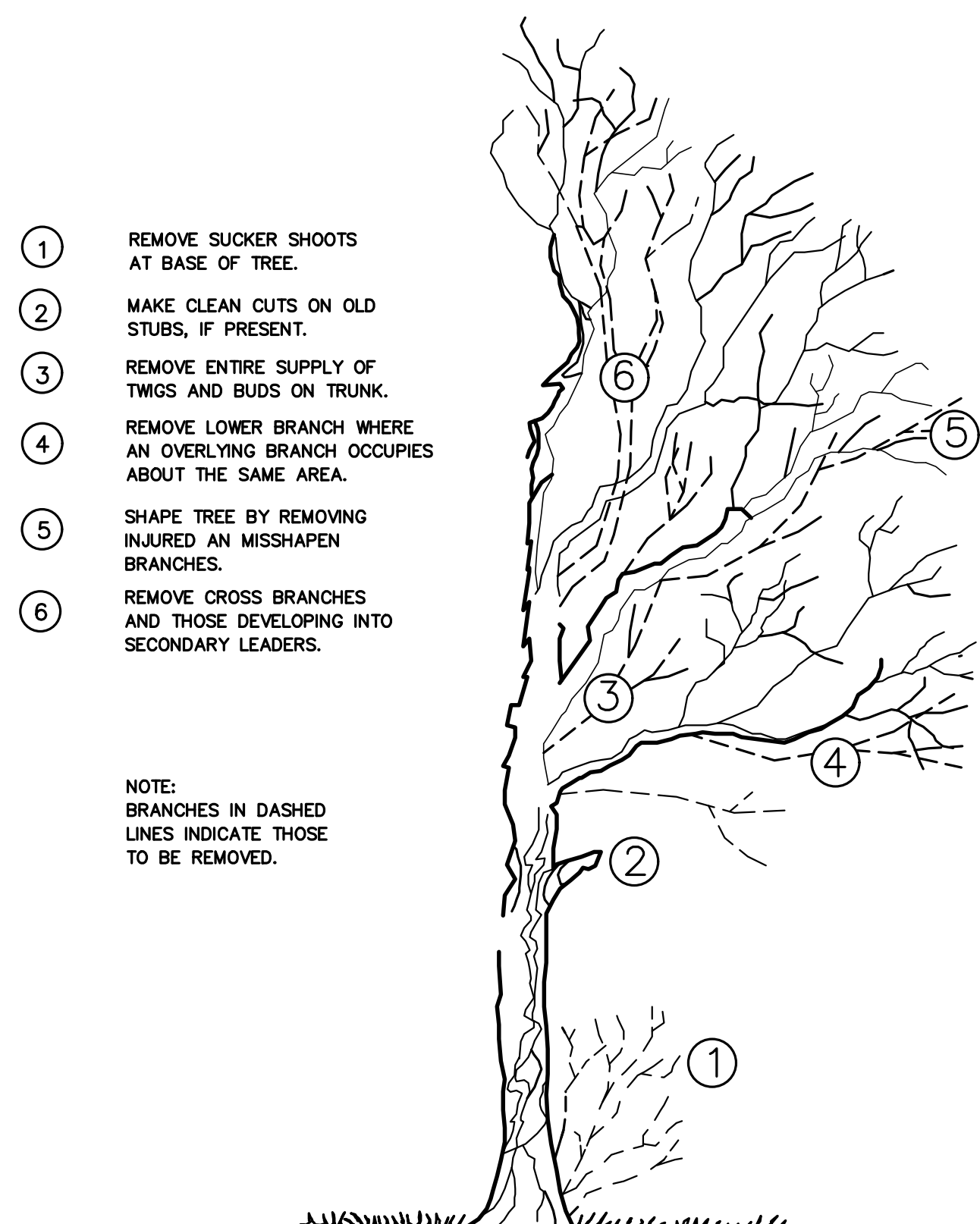
SCARIFY TO 4" DEPTH AND RECOMPACT

STAKES TO EXTEND 18" BELOW TREE PIT IN UNDISTURBED GROUND

ROOTBALL ON UNDISTURBED SOIL

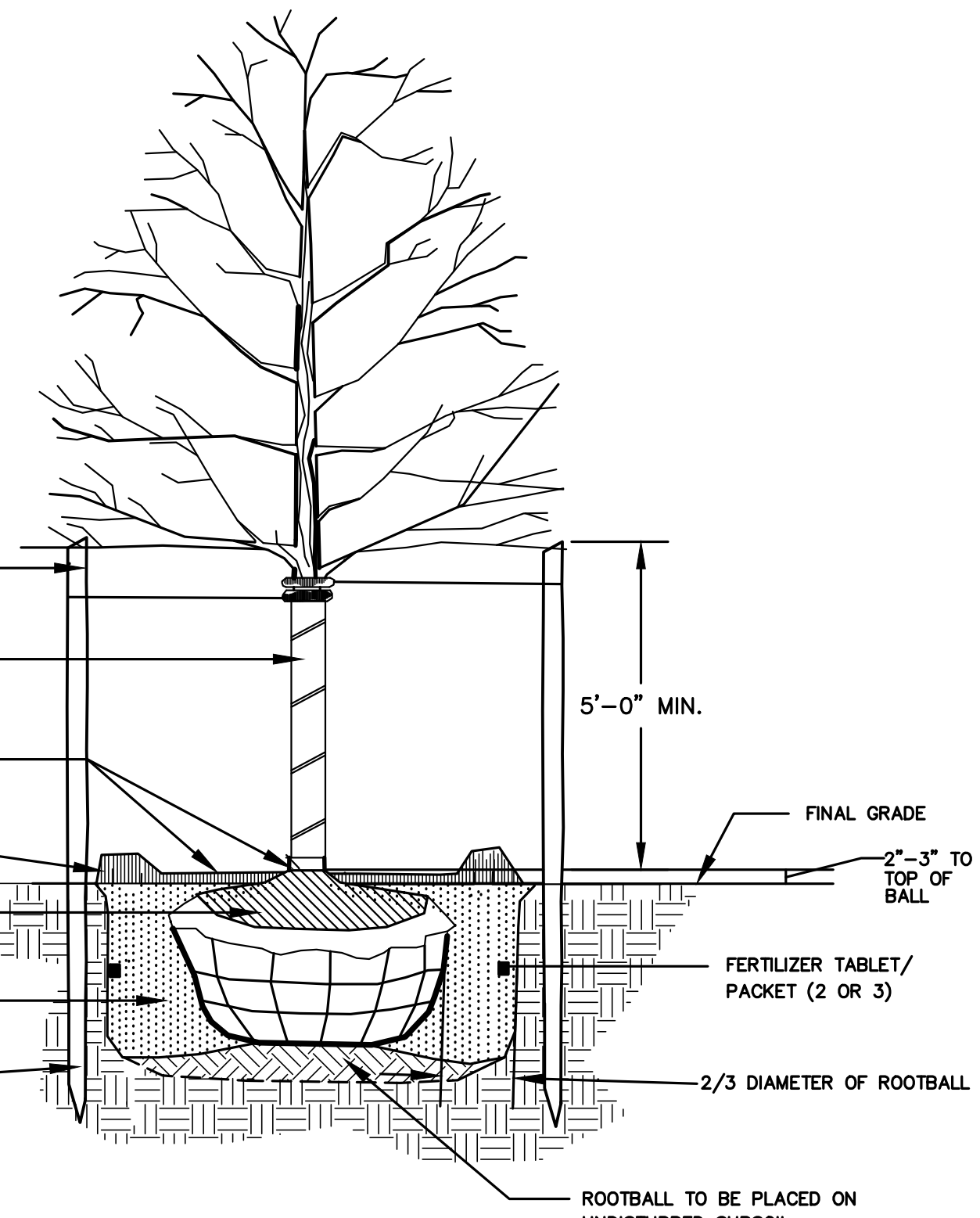
EVERGREEN TREE PLANTING DETAIL

NOT TO SCALE



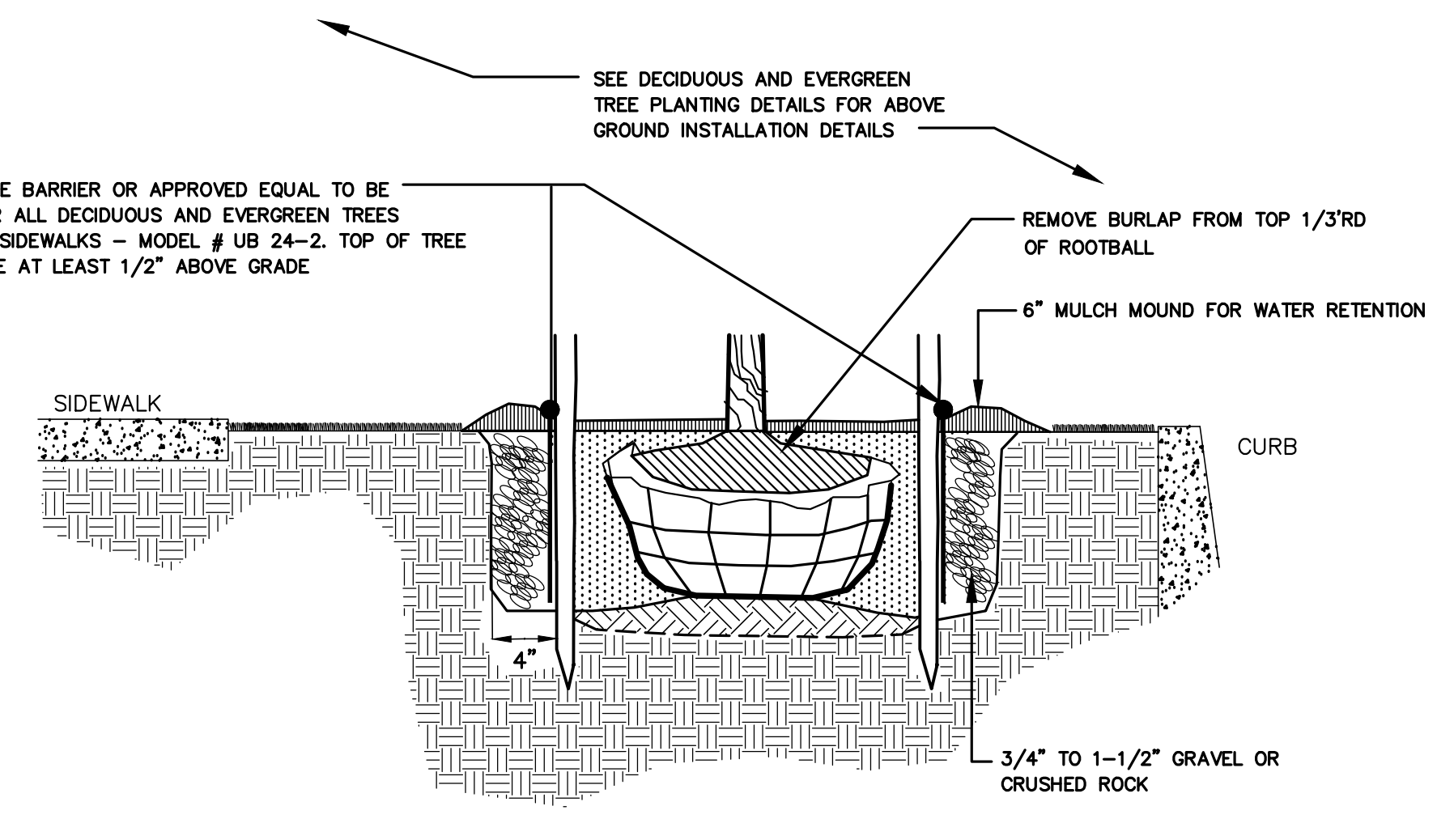
TREE PRUNING DETAIL FOR NEW PLANTINGS

NOT TO SCALE

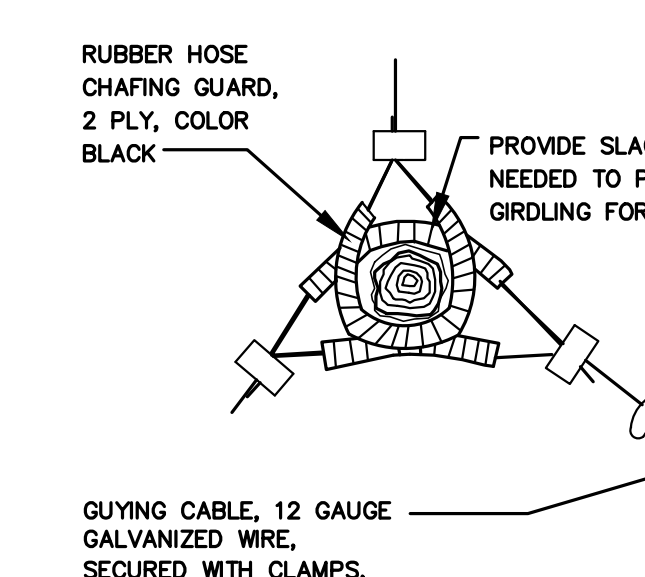
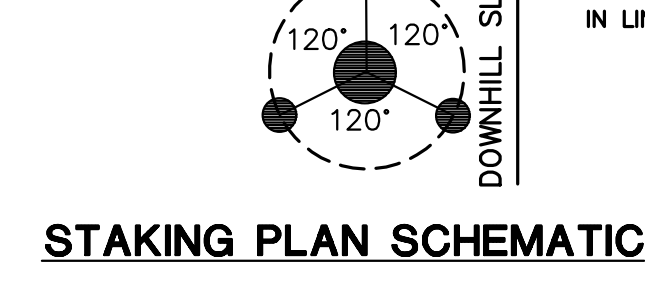


TREE PLANTING PIT DETAIL (10' AND CLOSER TO SIDEWALKS, CURBS AND BITUMINOUS PAVEMENT)

NOT TO SCALE

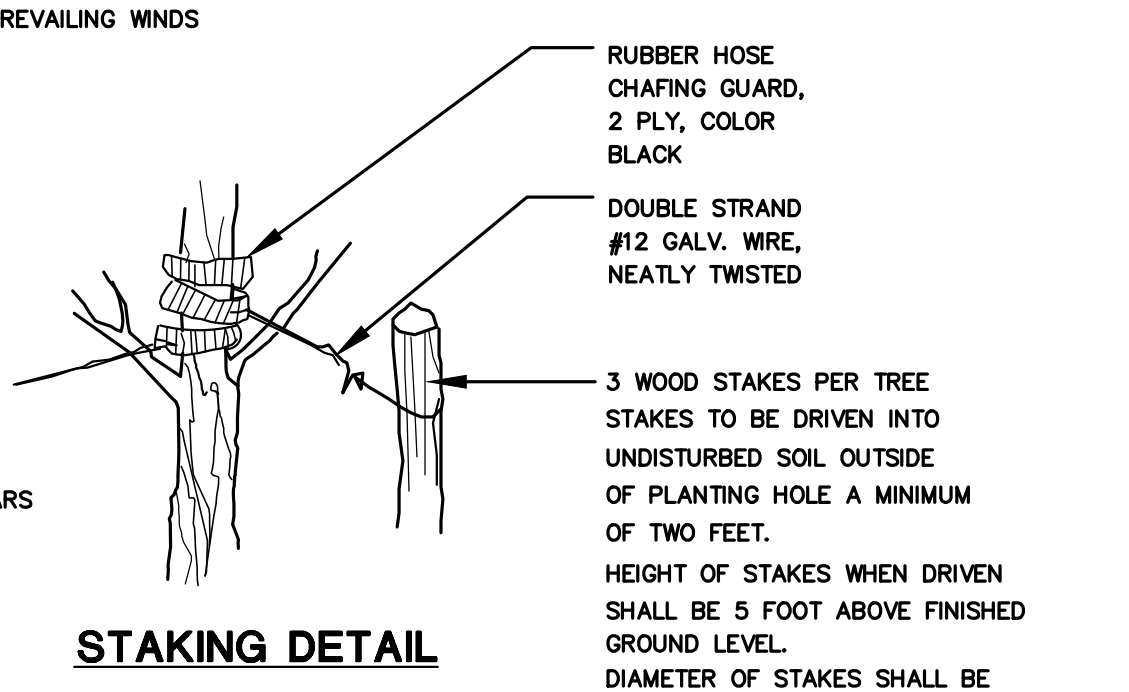


STAKING PLAN SCHEMATIC

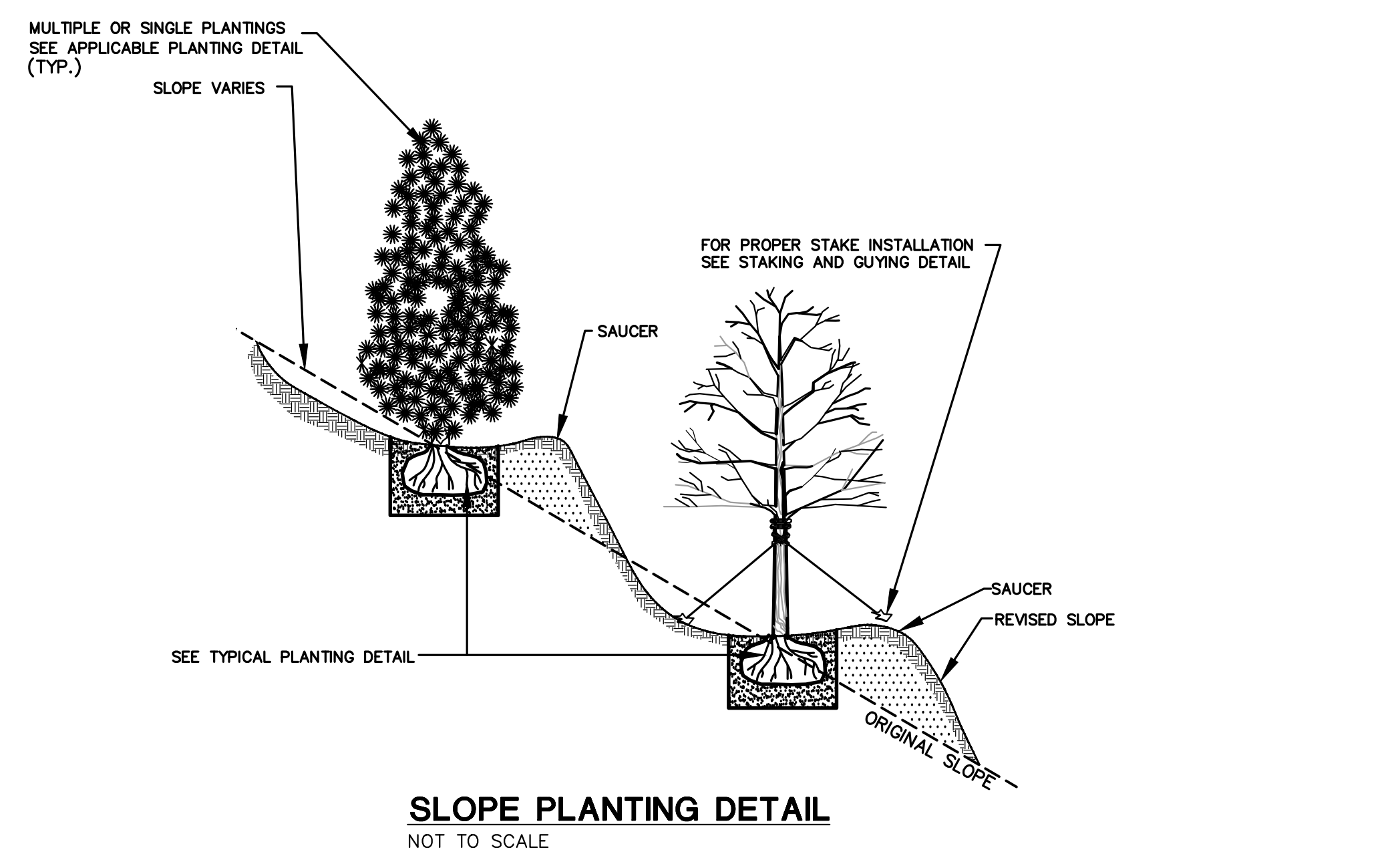


GUYING CABLE DETAIL TREE STAKING DETAIL

NOT TO SCALE



STAKING DETAIL



SLOPE PLANTING DETAIL

NOT TO SCALE

No.	Date	Revision	SKW	DFK
4	05/07/18	ISSUED FOR BID	SKW	DFK
3	03/26/18	PER N.D.E.P. COMMENTS	SKW	DFK
2	03/12/18	PER N.D.E.P. COMMENTS	SKW	DFK
1	02/14/18	PER N.D.E.P. COMMENTS	SKW	DFK
No.	Date	Revision	SKW	DFK

FPA FRENCH & PARRELO ASSOCIATES

Hackettstown Office
43A Newburgh Rd, Suite 100
Hackettstown, NJ 07840
908.850.9077

Offices
Corporate - Wall, NJ
New York, NY

Michael J. Piga, L.A.
MICHAEL J. PIGA, L.A.
LICENSED LANDSCAPE ARCHITECT, N.J. LIC. No. AS609099

LANDSCAPE NOTES AND DETAILS

FOR
CALAIS ROAD PARK
LOTS 2 & 3 BLOCK 49

TOWNSHIP OF RANDOLPH
MORRIS COUNTY
NEW JERSEY

DATE: 01/03/2018
DRAWN BY: SKW
DESIGNED BY: RJB
CHECKED BY: DFK
SCALE: AS NOTED
PROJECT NUMBER: 12259.001
SHEET: 10 of 23