

BLOCK 33
LOT 17.01
45.00 AC.
1,960,226 SQ.FT.

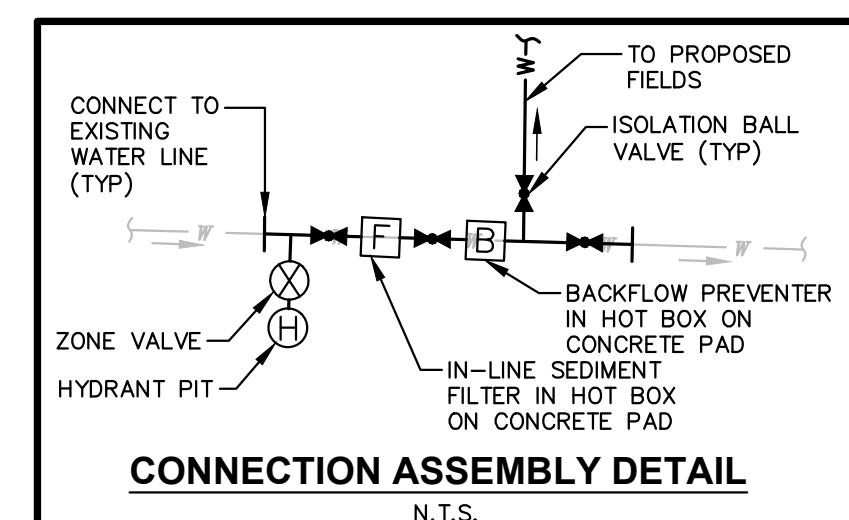
NORTH ROAD (COUNTY ROAD 513)
(57.75' RIGHT-OF-WAY)

- IRRIGATION NOTES:**
1. THE CONTRACTOR WILL BE RESPONSIBLE FOR INSTALLING ITEMS, AS REQUIRED TO MAKE A WORKING IRRIGATION SYSTEM. CONTRACTOR SHALL PROVIDE A COMPLETE IRRIGATION DESIGN BASED UPON THE PLANS & SPECIFICATIONS.
 2. GROUNDING THE IRRIGATION SYSTEM AS PER THE MANUFACTURER.
 3. THE CONTRACTOR TO INSTALL RAINBIRD ELECTRIC VALVES OR AN APPROVED EQUAL. LINE SIZE ISOLATION VALVE PRIOR TO EACH ELECTRIC VALVE.
 4. THE CONTRACTOR WILL BE RESPONSIBLE FOR VISITING THE FACILITY DURING THE BID PERIOD TO REVIEW THE EXISTING CONDITIONS AT THE PROJECT LOCATION.
 5. THE CONTRACTOR WILL SUBMIT SHOP DRAWINGS FOR IRRIGATION MATERIALS AND IRRIGATION PLAN FOR APPROVAL.
 6. THE CONTRACTOR SHALL PROVIDE AN AS-BUILT IRRIGATION PLAN SHOWING THE FINAL LAYOUT OF THE FULLY OPERATIONAL IRRIGATION SYSTEM.
 7. THE CONTRACTOR TO USE CLASS 200, SDR21 PVC FOR MAIN LINE PIPING.
 8. THE CONTRACTOR TO USE 150 PSI POLY-PIPE FOR ALL LATERAL LINES.
 9. ALL SLEEVE MATERIAL TO BE CLASS 200 SDR21 PVC. THE SLEEVE IS TO BE 2 TIMES THE PIPE SIZE.
 10. THE CONTRACTOR WILL INSTALL THE COMMUNICATION LINE WITHIN A 1" SCHEDULE 40 PVC PIPE.
 11. CONTRACTOR TO PROVIDE QUICK COUPLER VALVES FOR THE PROPOSED IRRIGATION SYSTEM.
 12. THE IRRIGATION SYSTEM SHALL BE DESIGN SO THAT IT MAY BE FULLY DRAINED & WINTERIZED.

- GENERAL IRRIGATION NOTES:**
1. THE CONTRACTOR IS RESPONSIBLE FOR COMPLETE WATER COVERAGE IN ALL AREAS OF REQUIRED IRRIGATION.
 2. THE CONTRACTOR MUST HAVE A LICENSE TO INSTALL IRRIGATION IN THE STATE. HE MUST HAVE INSTALLED PROJECTS OF SIMILAR SIZE AND COMPLEXITY TO QUALIFY AS THE IRRIGATION CONTRACTOR.
 3. THE IRRIGATION SYSTEM BID ITEM WILL INCLUDE BUT NOT BE LIMITED TO ALL TRENCHING, PIPING, SPRINKLER HEADS, PIPE SLEEVES, REMOTE CONTROL, DECODERS, GROUNDING, WIRING, ELECTRICAL POWER CONNECTIONS, WATER CONNECTIONS, QUICK COUPLER VALVES, GATE VALVE, AIR RELEASE VALVE ASSEMBLY, PRESSURE REDUCER ASSEMBLY, BACKFLOW PREVENTER AND ALL OTHER ITEMS NOT SPECIFICALLY MENTIONED TO CONSTRUCT A WORKING IRRIGATION SYSTEM. PLEASE REFER TO THE IRRIGATION PLAN, SPECIFICATIONS AND DETAILS.
 4. THE CONTRACTOR WILL PROVIDE A FINAL IRRIGATION DRAWING SHOWING THE LOCATION OF THE PIPE SLEEVES, QUICK COUPLER CONNECTIONS, IRRIGATION PIPING, LOCATION OF SPRINKLER HEADS, CONNECTION TO THE EXISTING WATER MAINS, AND ANY OTHER IRRIGATION ITEM NEED TO CREATE A WORKING IRRIGATION SYSTEM. THE CONTRACTOR WILL PROVIDE SHOP DRAWINGS AND CUTSHEETS OF THE MATERIAL BEING INSTALLED AS INDICATED IN THE TECHNICAL SPECIFICATIONS.

- AVAILABLE WATER PRESSURE NOTE:**
1. THE PROPOSED IRRIGATION SYSTEM IS TO BE TIED INTO AN EXISTING WELL WITH EXISTING PUMPS. FOR THE PURPOSES OF BIDDING THE PROJECT, AVAILABLE CAPACITY FROM THIS WELL SHOULD BE BASED ON 30 GPM. CONTRACTOR SHALL CONFIRM WELL CAPACITY PRIOR TO PROCEEDING WITH THE DESIGN.
 2. CONTRACTOR SHALL FIELD TEST SYSTEM AT PROJECT COMPLETION TO ENSURE IRRIGATION COVERAGE ON ALL AREAS TO BE IRRIGATED. CONTRACTOR SHALL REPLACE SPRAY HEAD NOZZLES ON EXISTING AND PROPOSED SPRINKLER HEADS IF REQUIRED TO PROVIDE PROPER COVERAGE.

- KEY NOTES:**
- 1 PROPOSED RAINBIRD CONTROLLER ESP LXD, OR APPROVED EQUAL SHALL BE LOCATED IN PROPOSED ENCLOSURE.
 - 2 AREAS TO BE IRRIGATED WITH RAINBIRD 8005 SPRINKLER SERIES, OR APPROVED EQUAL AS REQUIRED BY COVERAGE AREA, 100% COVERAGE REQUIRED.
 - 3 PROPOSED RAIN SENSOR LOCATED OUTSIDE BUILDING, CLOSE TO THE ROOF LINE TO RECEIVE UN-OBSTRUCTED RAINFALL.
- AREAS OF REQUIRED IRRIGATION.



No.	Date	Revision	Revised By	Checked By

SCALE IN FEET
0 40 80

FPA
FRENCH & PARELLO
ASSOCIATES

Hackettstown Office
43a Newbriar Rd, Suite 100
Hackettstown, NJ 07840
908.860.0077

Offices
Corporate - Wall, NJ
Camden, NJ
New York, NY

DENIS F. KEENAN, P.E.
PROFESSIONAL ENGINEER - NJ, LIC. NO. 46373

IRRIGATION PLAN

FOR
**RE-GRADING & RE-CONDITIONING
OF BLACK RIVER FIELDS**
LOT 17.01 BLOCK 33
TOWNSHIP OF CHESTER
MORRIS COUNTY, NEW JERSEY

DATE: 03/19/21
DESIGNED BY: SKW
DRAWN BY: SKW

SCALE: AS NOTED
CHECKED BY: DFK

PROJECT NUMBER: 15502.003
SHEET: 6 of 8

P:\15502\15502_003 - Chester Township\15502_003 - Black River Fields CAD\Draw\15502_003 - IRRIGATION PLAN

© 2021 FRENCH & PARELLO ASSOCIATES - THE COPYING OR REUSE OF THIS DOCUMENT OR PORTIONS THEREOF, WITHOUT THE WRITTEN PERMISSION OF FRENCH & PARELLO ASSOCIATES, IS PROHIBITED. DUE TO INHERENT ERRORS IN REPRODUCTION METHODS, ERRORS MAY OCCUR WHEN SCALING THIS DRAWING.