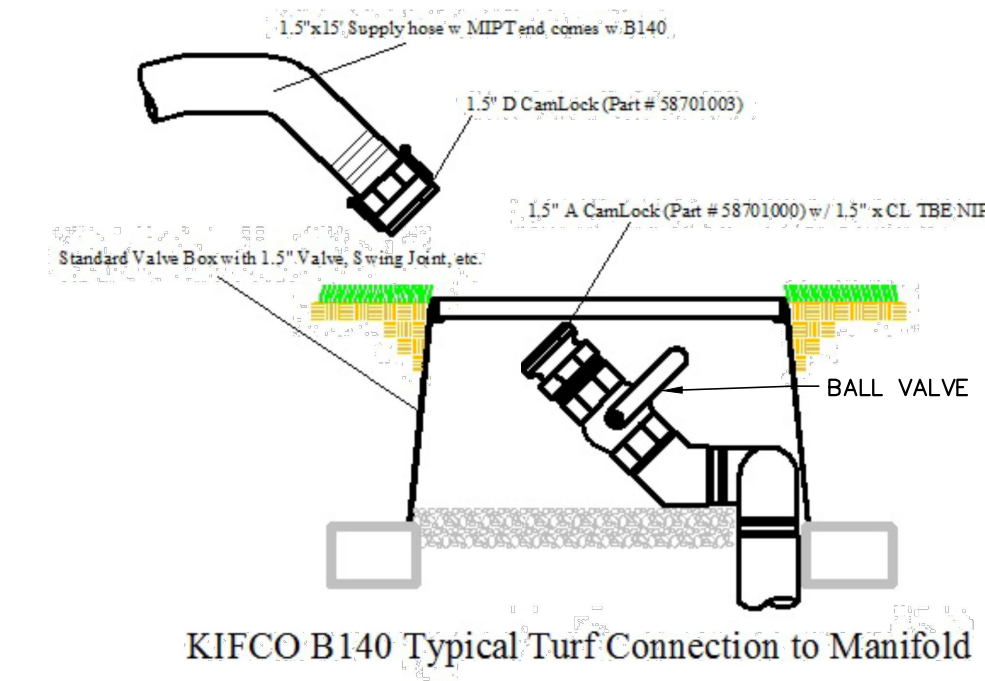
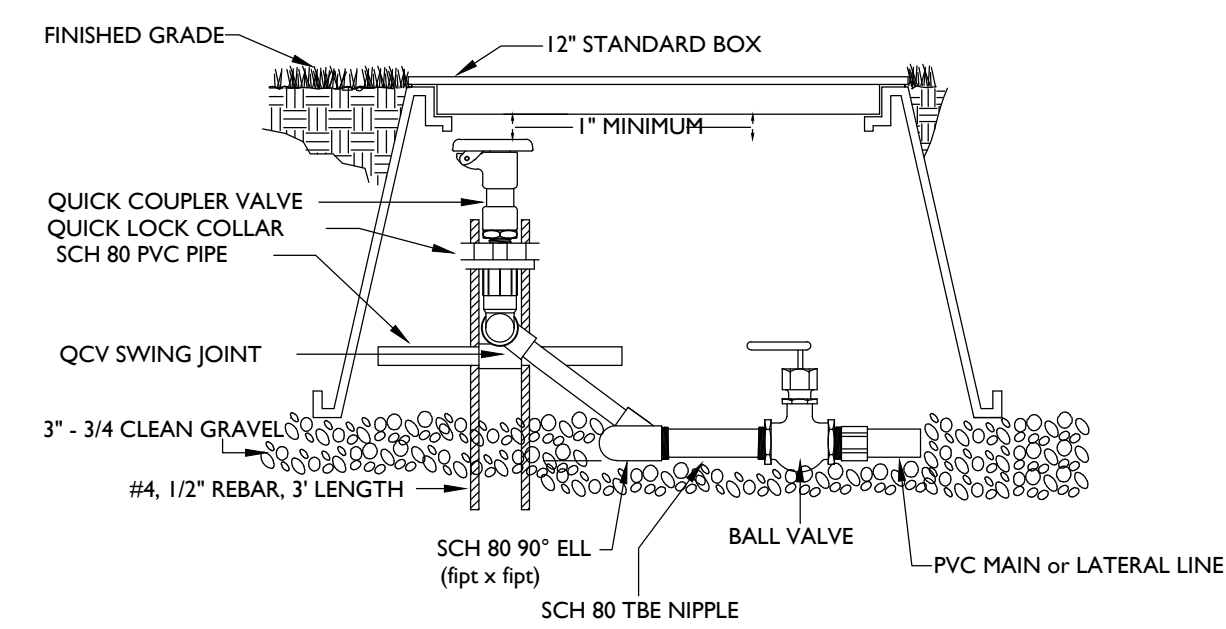


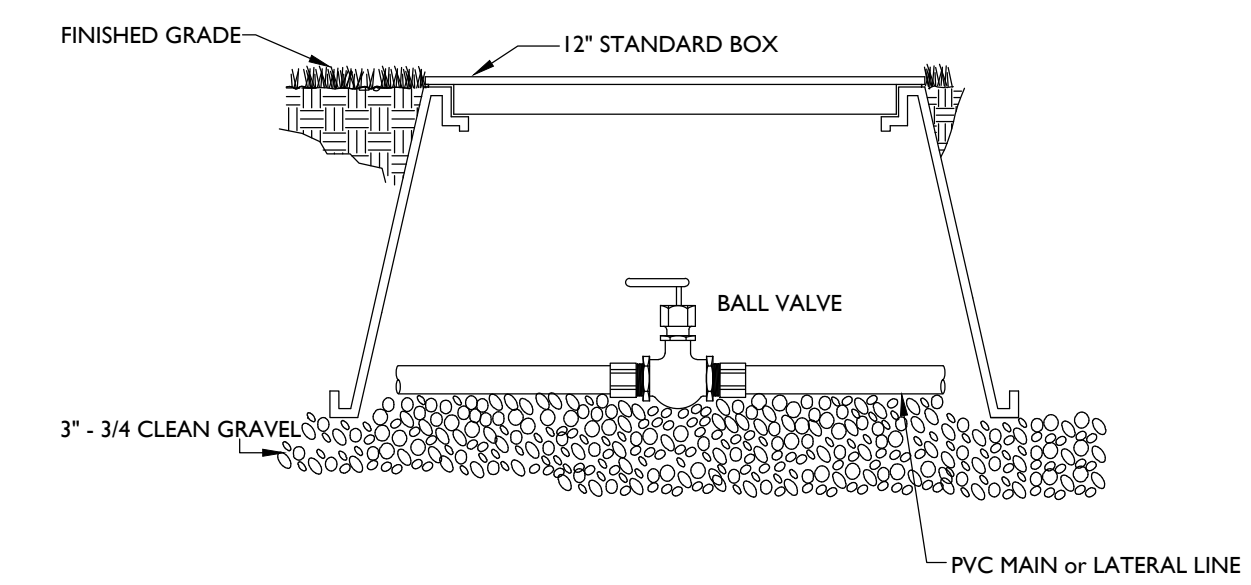
P:\15500\15502 - Chester Township\15502.003 - Black River Fields\CADD\Drawings\15502.003-IRR1.dwg IRRIGATION DETAILS



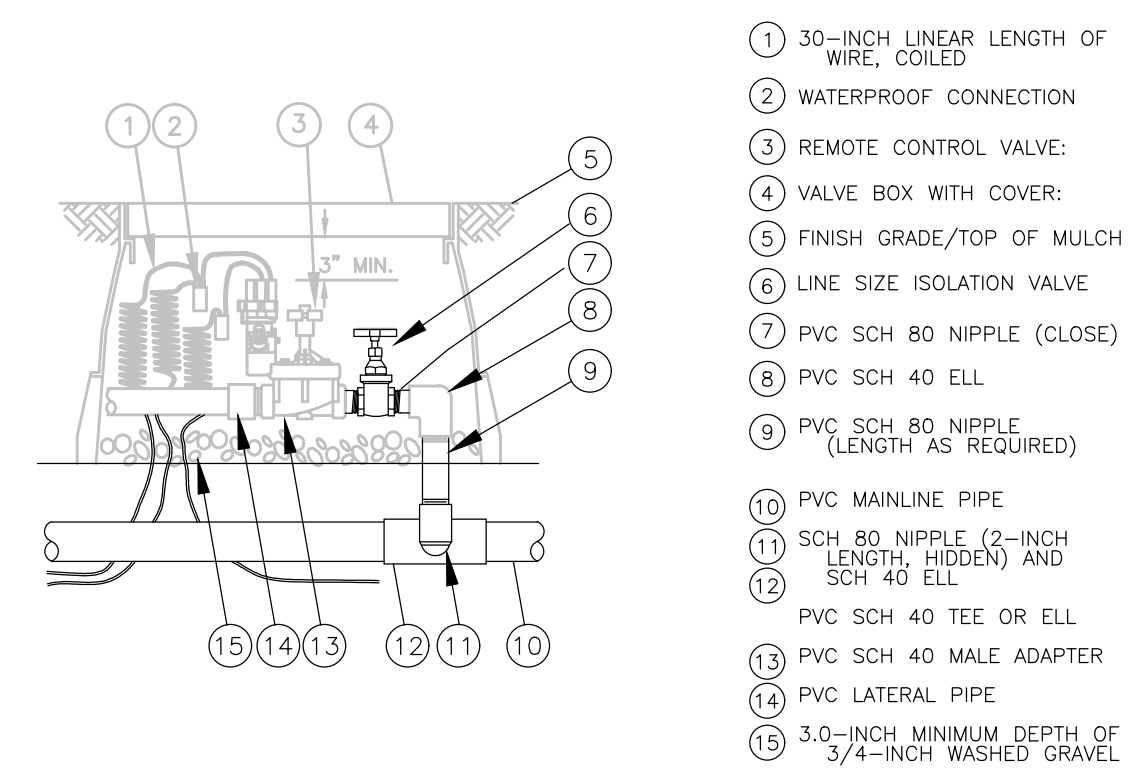
HYDRANT PIT DETAIL
NOT TO SCALE



QUICK COUPLER WITH ISOLATION VALVE DETAIL
NOT TO SCALE

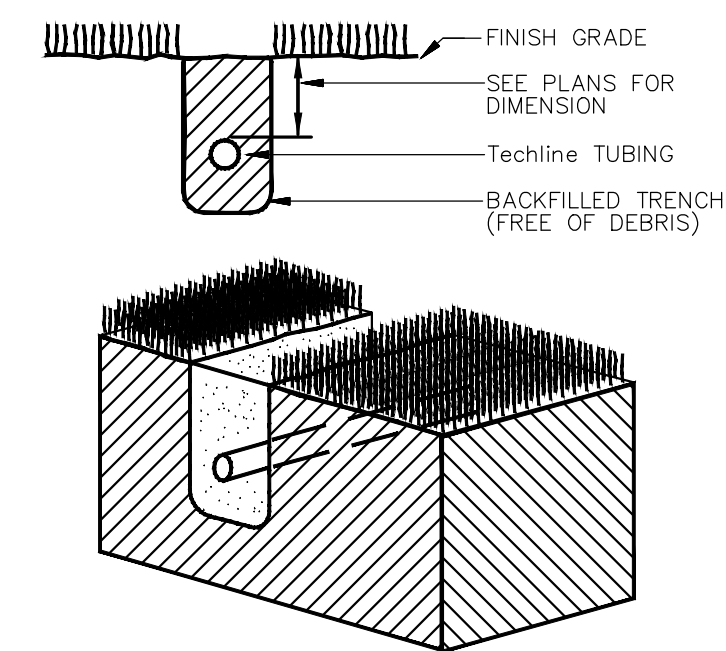


LINE SIZE ISOLATION VALVE DETAIL
NOT TO SCALE

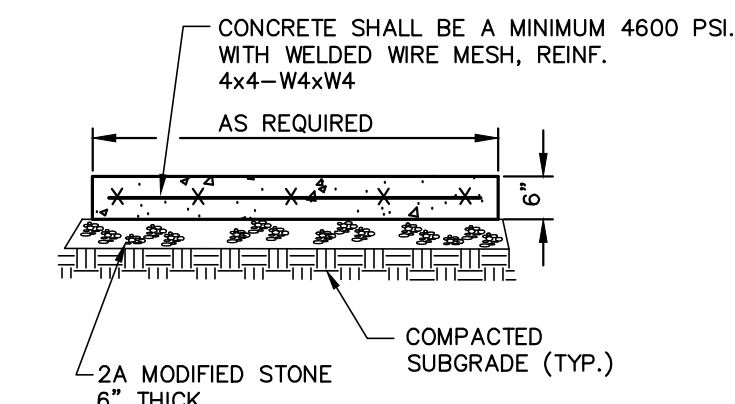


ELECTRIC ZONE VALVE DETAIL
NOT TO SCALE

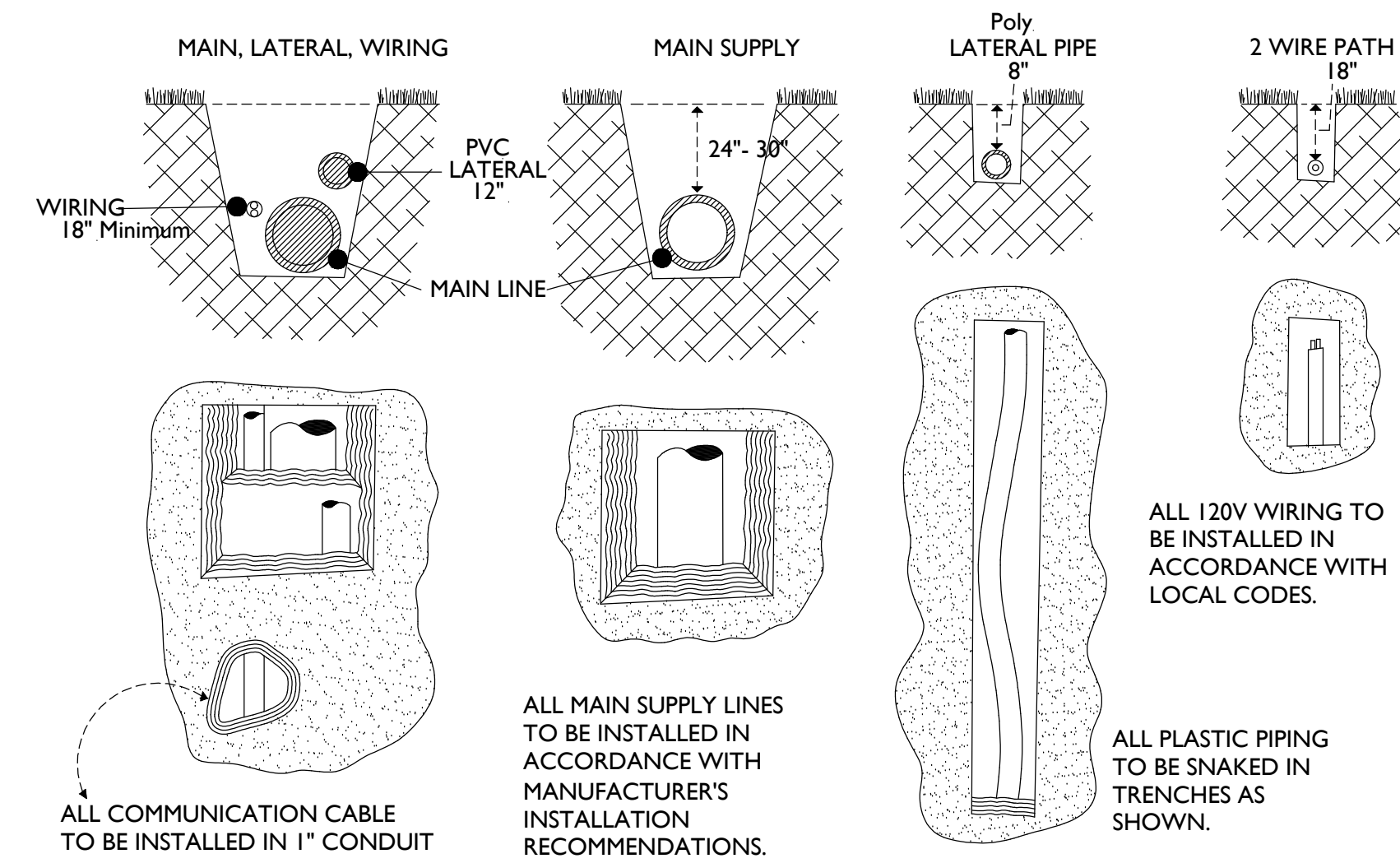
- 1 30-INCH LINEAR LENGTH OF WIRE COILED
- 2 WATERPROOF CONNECTION
- 3 REMOTE CONTROL VALVE
- 4 VALVE BOX WITH COVER
- 5 FINISH GRADE/TOP OF MULCH
- 6 LINE SIZE ISOLATION VALVE
- 7 PVC SCH 80 NIPPLE (CLOSE)
- 8 PVC SCH 40 ELL
- 9 PVC SCH 80 NIPPLE (LENGTH AS REQUIRED)
- 10 PVC MAINLINE PIPE
- 11 SCH 80 NIPPLE (2-INCH LENGTH HIDDEN) AND SCH 40 ELL
- 12 PVC SCH 40 TEE OR ELL
- 13 PVC SCH 40 MALE ADAPTER
- 14 PVC LATERAL PIPE
- 15 3/4-INCH MINIMUM DEPTH OF 3/4-INCH WASHED GRAVEL



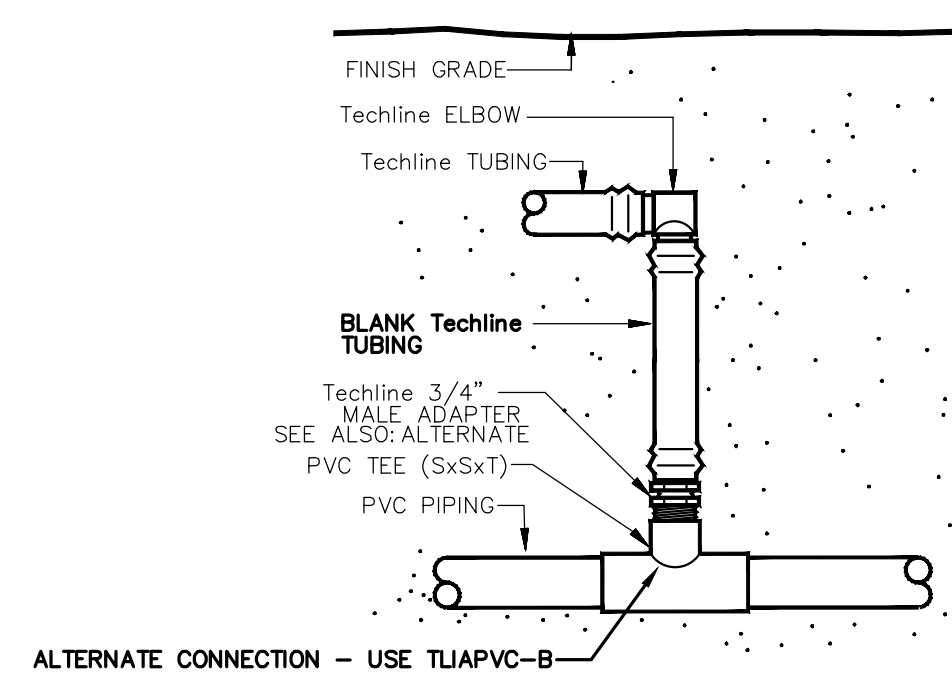
Techline TRENCHING
NOT TO SCALE



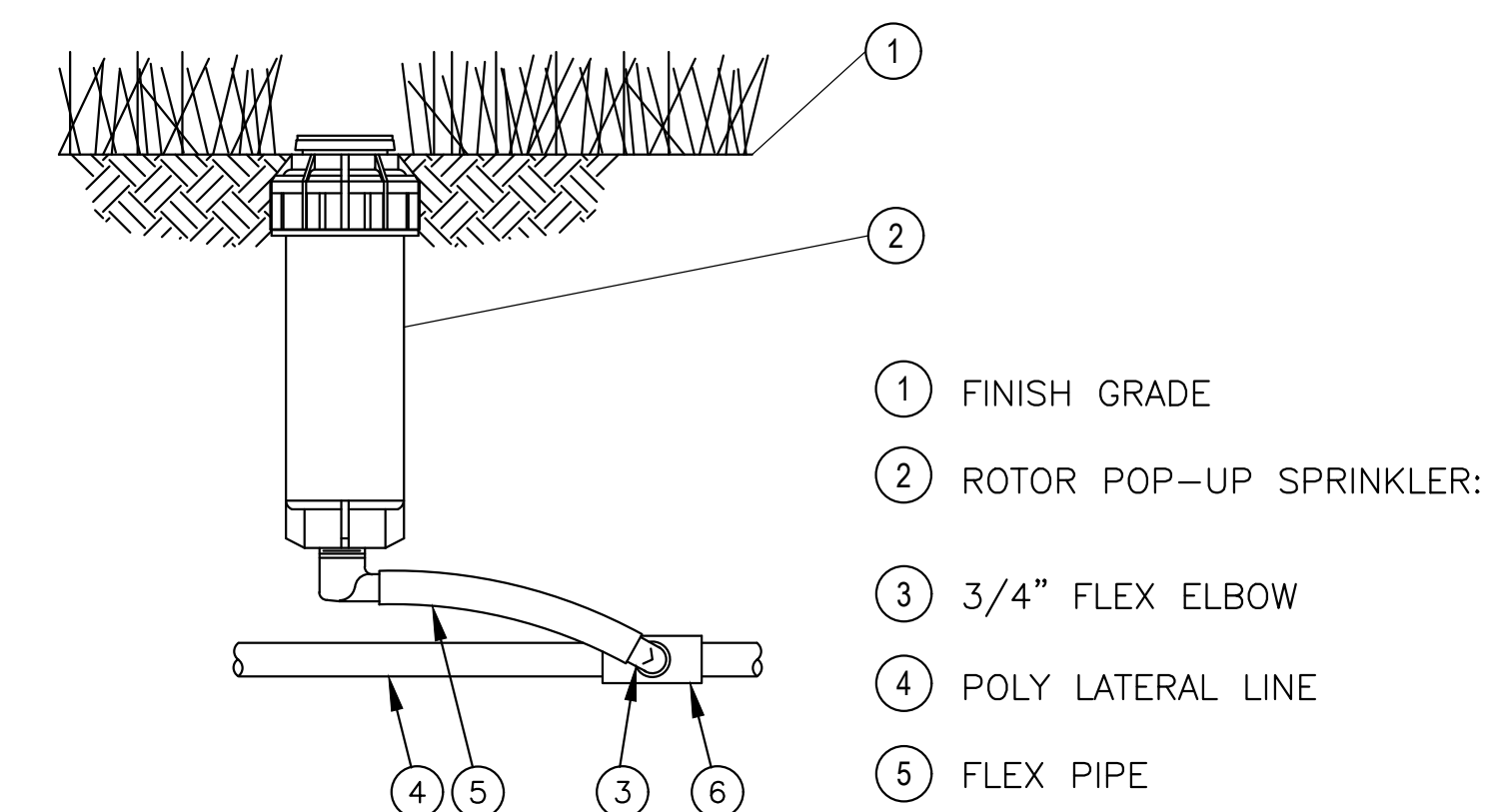
CONCRETE PAD FOR IRRIGATION CONTROLLER
NOT TO SCALE



TYPICAL TRENCH DETAIL
NOT TO SCALE



Techline START CONNECTION (PVC TO ELBOW)
NOT TO SCALE



ROTOR POP-UP SPRINKLER
NOT TO SCALE

No.	Date	Revision	Revised By	Checked By

FPA
FRENCH & PARRELO
ASSOCIATES

Hackettstown Office
43a Newburgh Rd., Suite 100
Hackettstown, NJ 07840
908-950-0977

Offices
Corporate - Wall, NJ
Camden, NJ
New York, NY

DENIS F. KEENAN, P.E.
PROFESSIONAL ENGINEER - NJ, LIC. NO. 46373

IRRIGATION DETAILS

FOR
**RE-GRADING & RE-CONDITIONING
OF BLACK RIVER FIELDS**

LOT 17.01 BLOCK 33

TOWNSHIP OF CHESTER
MORRIS COUNTY NEW JERSEY

DATE: 03/19/21	DESIGNED BY: SKW	SCALE: AS NOTED	PROJECT NUMBER: 15502.003
DRAWN BY: SKW	CHECKED BY: DFK	FIELD BOOK	SHEET: 7 of 8