

DOOR SCHEDULE

FROM ROOM NUMBER	TO ROOM	DOOR DIMENSIONS (QT) (W)(H)(THICKNESS)	DOOR				FRAME		FIRE RATING	SADDLE/SILL	HEAD	JAMB	HDWR	REMARKS (SEE DOOR SCHEDULE NOTES, DOOR HARDWARE NOTES, DOOR SCHEDULE KEYS NOTES AND DOOR AND FRAME FINISH SCHEDULE)	
			TYPE	MAT	FIN	GLASS TYPE	MAT	FIN							
100	EXTERIOR	STORAGE 100	(1) 8'-0" x 8'-0"	FS	HM	DP-1	-	HM	FP-1	90 MIN	-	H2	J2	*	PER DOOR MANUFACTURER
101	EXTERIOR	STORAGE 100	(1) 8'-0" x 8'-0"	FS	HM	DP-1	-	HM	FP-1	90 MIN	-	H2	J2	*	PER DOOR MANUFACTURER
102	EXTERIOR	STORAGE 100	(1) 8'-0" x 8'-0"	F	HM	DP-1	-	HM	FP-1	90 MIN	-	H2	J2	*	PER DOOR MANUFACTURER
103	EXTERIOR	UTILITY 103	(1) 3'-0" x 7'-0" x 1 3/4"	F	HM	DP-1	-	HM	FP-1	90 MIN	-	H1	J1	1	SEE SPECIFICATIONS
104	EXTERIOR	STORAGE 100	(1) 8'-0" x 8'-0"	FS	HM	DP-1	-	HM	FP-1	90 MIN	-	H2	J2	*	PER DOOR MANUFACTURER
105	EXTERIOR	STORAGE 100	(1) 8'-0" x 8'-0"	FS	HM	DP-1	-	HM	FP-1	90 MIN	-	H2	J2	*	PER DOOR MANUFACTURER
106	EXTERIOR	STORAGE 100	(1) 8'-0" x 8'-0"	FS	HM	DP-1	-	HM	FP-1	90 MIN	-	H2	J2	*	PER DOOR MANUFACTURER

DOOR SCHEDULE NOTES:

- CONTRACTOR SHALL CONFIRM WITH OWNER'S REPRESENTATIVE THE DOOR AND FRAME FINISHES/COLOR PRIOR TO ORDERING PRODUCT OR PAINTING/STAINING. (SEE DOOR FINISH SCHEDULE THIS SHEET)
- THE BOTTOM CLEARANCE FOR ALL EXTERIOR DOORS SHALL BE "X", UNLESS OTHERWISE NOTED.
- SEE ROOM FINISH SCHEDULE FOR ADDITIONAL PAINT FINISH INFORMATION.
- SEE "TYP." DOOR PLAN DETAILS 1/A60 THIS SHEET FOR ADDITIONAL REQUIREMENTS.

DOOR HARDWARE NOTES:

- THE OPENING FORCE AT ANY DOOR SHALL NOT EXCEED (5) FIVE POUNDS. THE SWING TO FULL OPEN FORCE SHALL NOT EXCEED 15 POUNDS.
- COORDINATE KEYING SYSTEM W/ OWNER'S REPRESENTATIVE.

GENERAL NOTES:

- SEE SHEET 102 FOR ADDITIONAL GENERAL NOTES, ABBREVIATIONS, SYMBOLS AND LEGENDS #19, 20 & 21 ON 102 FOR MANDATORY SUBCONTRACTOR REQUIREMENTS.

REFERENCE SYMBOL LEGEND

- (X) DOOR TYPE DESIGNATION
- (Y) INDICATES DOOR TYPE (SEE DOOR TYPE DESIGNATIONS BELOW)
- (Y) INDICATES NUMBER OF LEAFS IN OPENING FOR MULTIPLE LEAF CONFIGURATIONS

DOOR TYPE DESIGNATIONS:

- F - FLUSH
- FS - FIRE SHUTTER

DOOR AND FRAME FINISH SCHEDULE

SEE DOOR FINISH SCHEDULE FOR ADDITIONAL ABBREVIATIONS:

- QTY - QUANTITY
 (W) - WIDTH
 (H) - HEIGHT
 MAT - MATERIAL
 FIN - FINISH
 SCH - SCHEDULE
 HDWR - HARDWARE
- DR - DOOR
 EXST - EXISTING TO REMAIN
 N/A - NOT APPLICABLE
 (-) - NO ITEM
 (*) - SEE REMARKS
 GL - GLASS
 WD - WOOD
 ST - STAIN
- HM - HOLLOW METAL
 FRP - FIBERGLASS REINFORCED POLYESTER
 AL - ALUMINUM
 DP - DOOR PAINT
 FP - FRAME PAINT
 ST - STAIN

HM DOOR FINISHES

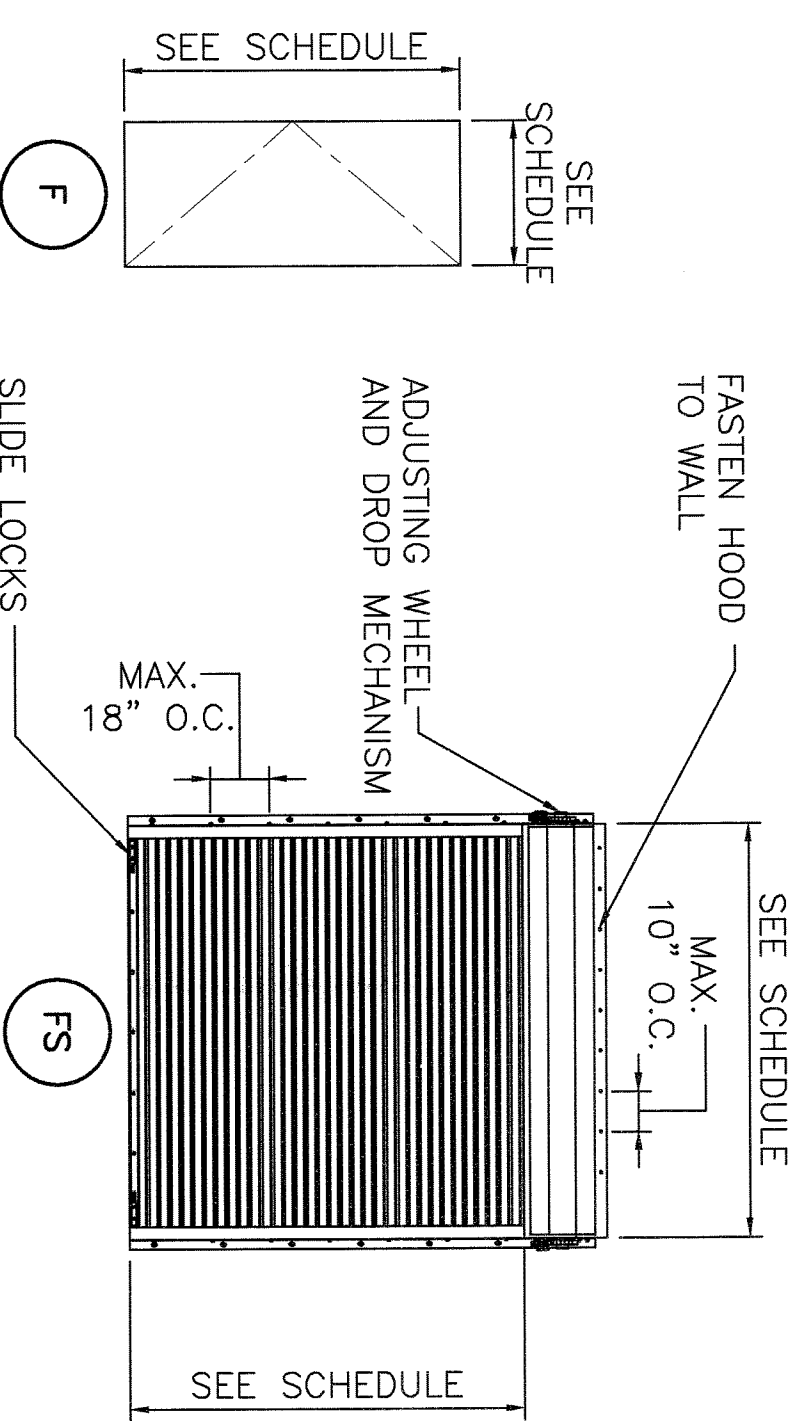
HM DOOR NEW PAINT SYSTEM (DP1) (EXTERIOR DOORS)

- MFR: BENJAMIN MOORE (BM)
 FINISH: SEMI-GLOSS
 TO BE SELECTED FROM MFR'S STANDARD COLORS
 PRIMER: BM P04 SUPERSPEC HP ACRYLIC METAL PRIMER ON UN-COATED / NEW DOORS - TINT PRIMER TOWARD COLOR ABOVE
- COATING: BM P29 SUPERSPEC HP DIM ACRYLIC SEMI-GLOSS - TWO COATS OF COLOR OVER ONE COAT OF PRIMER

HM FRAME FINISHES

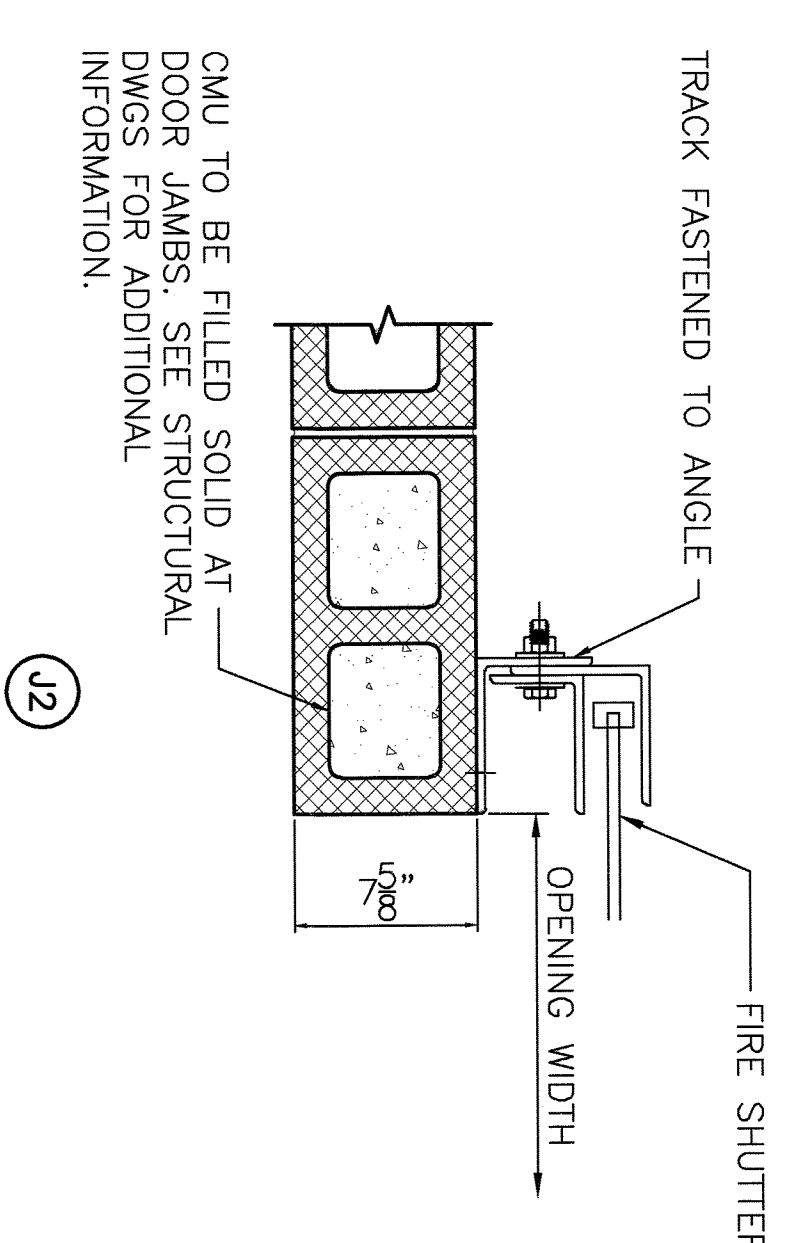
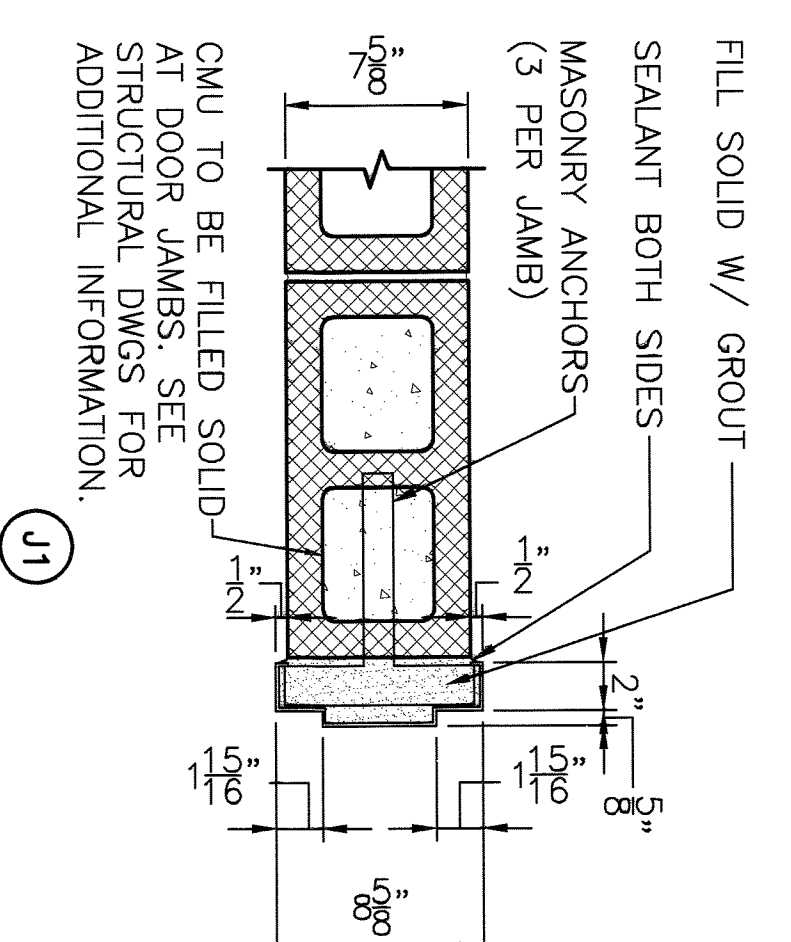
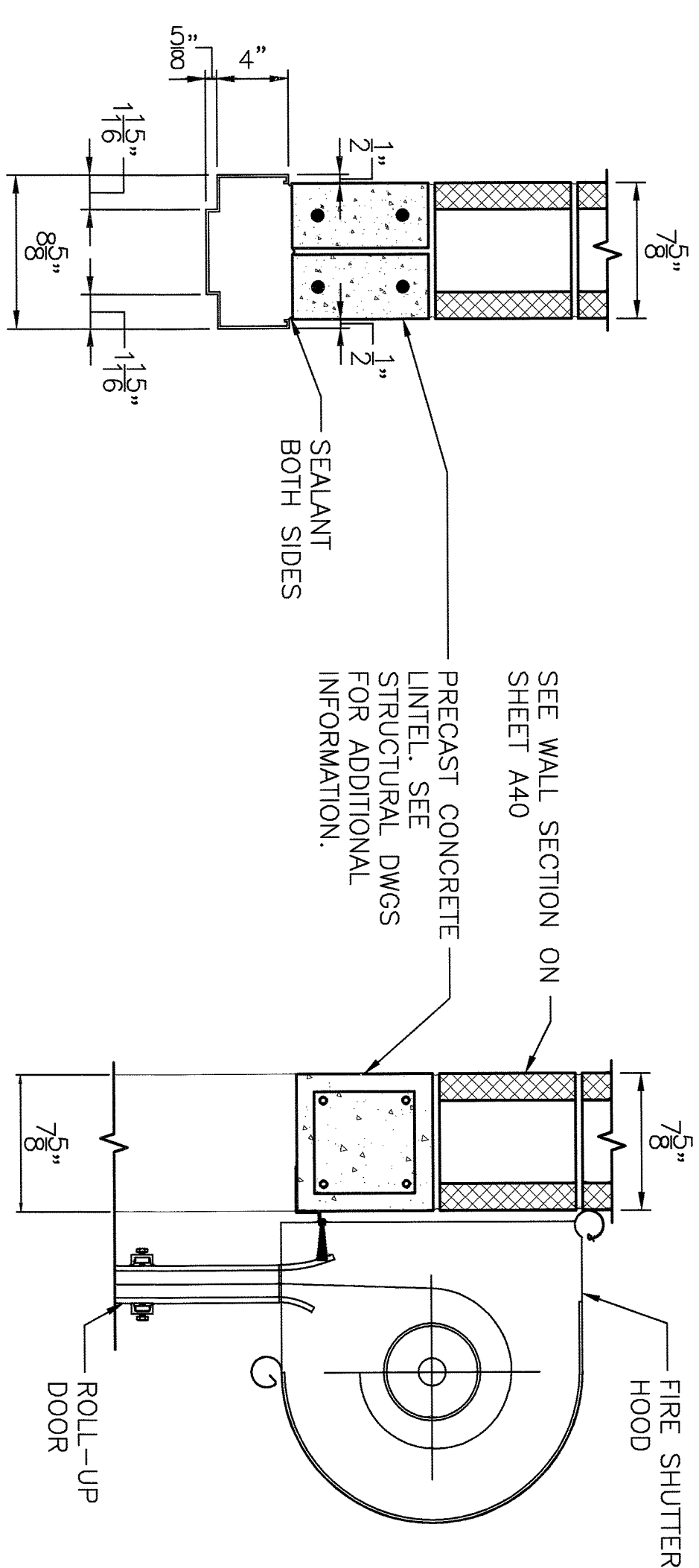
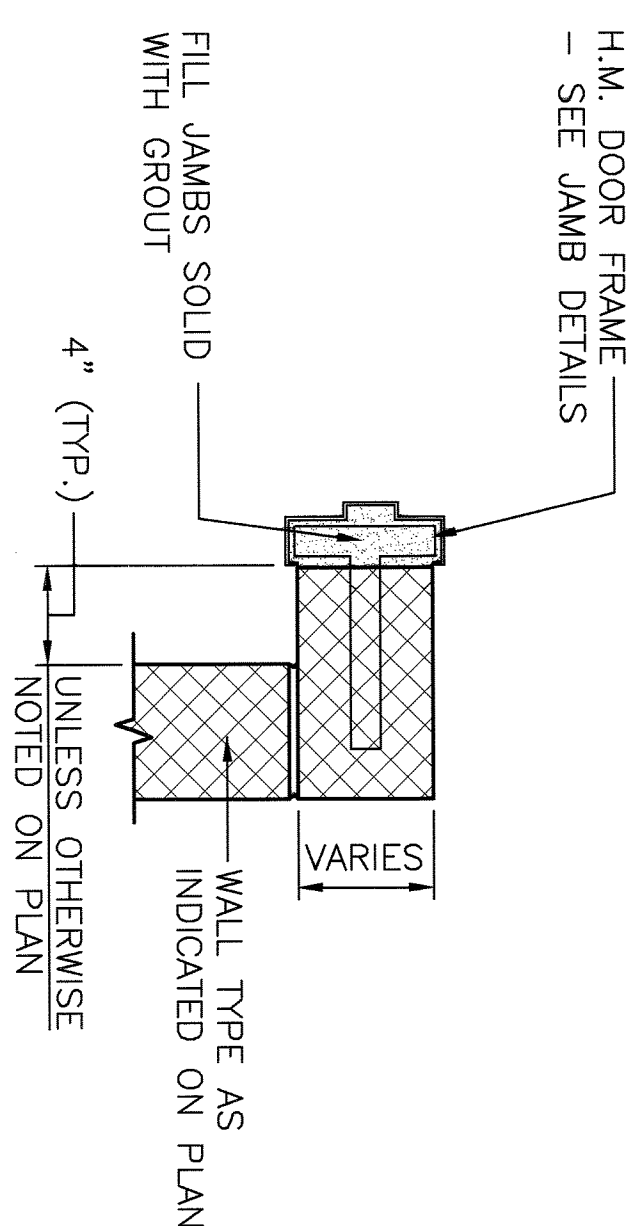
HM FRAME NEW PAINT SYSTEM (FP1) (EXTERIOR FRAMES)

- MFR: BENJAMIN MOORE (BM)
 FINISH: SEMI-GLOSS
 TO BE SELECTED FROM MFR'S STANDARD COLORS
 COLOR: BM P04 SUPERSPEC HP ACRYLIC METAL PRIMER ON UN-COATED / NEW DOORS - TINT PRIMER TOWARD COLOR ABOVE
 COATING: BM P29 SUPERSPEC HP DIM ACRYLIC SEMI-GLOSS - TWO COATS OF COLOR OVER ONE COAT OF PRIMER



DOOR TYPES
1/4" = 1'-0"

FRAME TYPES
1/4" = 1'-0"



HEAD DETAILS
1 1/2" = 1'-0"

JAMB DETAILS
1 1/2" = 1'-0"

ROOM FINISH SCHEDULE

ROOM NUMBER	ROOM NAME	FLOOR	WALL BASE	NORTH WALL	EAST WALL	SOUTH WALL	WEST WALL	CEILING TYPE	REMARKS (SEE FIN. SCHED. NOTES & ABBREVIATIONS) (SEE REMARKS BELOW)
100	STORAGE	SC	P1/-	P1/-	P1/-	P1/-	P1/-	PCI	PAINT GYP BOARD ONLY. CMU TO REMAIN UN-PAINTED
101	STORAGE	SC	P1/-	P1/-	P1/-	P1/-	P1/-	PCI	PAINT GYP BOARD ONLY. CMU TO REMAIN UN-PAINTED
102	STORAGE	SC	P1/-	P1/-	P1/-	P1/-	P1/-	PCI	PAINT GYP BOARD ONLY. CMU TO REMAIN UN-PAINTED
103	UTILITY	SC	P1/-	P1/-	P1/-	P1/-	P1/-	PCI	PAINT GYP BOARD ONLY. CMU TO REMAIN UN-PAINTED
104	STORAGE	SC	P1/-	P1/-	P1/-	P1/-	P1/-	PCI	PAINT GYP BOARD ONLY. CMU TO REMAIN UN-PAINTED
105	STORAGE	SC	P1/-	P1/-	P1/-	P1/-	P1/-	PCI	PAINT GYP BOARD ONLY. CMU TO REMAIN UN-PAINTED
106	STORAGE	SC	P1/-	P1/-	P1/-	P1/-	P1/-	PCI	PAINT GYP BOARD ONLY. CMU TO REMAIN UN-PAINTED

FINISH SCHEDULE DESCRIPTIONS

- FLOORING**
- SEALED CONCRETE (SC1)
 MFR: BENJAMIN MOORE
 TYPE: CONCRETE SEALER
 COLLECTION: COROTECH CLEAR ACRYLIC SEALER
 STYLE: VOZ7
 COLOR: CLEAR
 INSTALL: TWO COATS AND PREP FLOOR PER MANUFACTURERS INSTRUCTION PRIOR TO SEALING CONCRETE
- WALL**
- PAINTED CEILING SYSTEM (DC1)
 MFR: BENJAMIN MOORE
 TYPE: GYPSUM BOARD
 COLLECTION: CLASSIC COLORS
 SHEEN: LATEX FLAT ULTRASPEC 500
 COLOR: (N-536) BLANCHED ALMOND
 PRIMER: ULTRASPEC 500 INTERIOR LATEX
 INSTALL: TWO COATS OF COLOR OVER ONE COAT OF PRIMER. TINT PRIMER TOWARD FINISH COLOR ABOVE.
- CEILING**
- PAINTED CEILING SYSTEM (DC1)
 MFR: BENJAMIN MOORE
 TYPE: GYPSUM BOARD
 COLLECTION: CLASSIC COLORS
 SHEEN: LATEX FLAT ULTRASPEC 500
 COLOR: (N-536) BLANCHED ALMOND
 PRIMER: ULTRASPEC 500 INTERIOR LATEX
 INSTALL: TWO COATS OF COLOR OVER ONE COAT OF PRIMER. TINT PRIMER TOWARD FINISH COLOR ABOVE.

NJIDE STATE PROJECT NO.: 4130-050-19-4000



PROJECT: PISCATAWAY HIGH SCHOOL BLEACHERS, FIELD LIGHTING & STORAGE FACILITY REPLACEMENT NEW JERSEY

TITLE: DOOR SCHEDULE & ROOM FINISH SCHEDULE

ARCHITECTURE: EI Associates ARCHITECTS & ENGINEERS, PA 8 BROADWAY AVENUE-2ND FLOOR SUITE 200 NEWARK, NJ 07102-3177

REGISTERED ARCHITECT LICENSE NO. NJ 10149

ARCHITECTURE: EI Associates ARCHITECTS & ENGINEERS, PA

DATE: 4 NOV 19

PROJECT NUMBER: A60