

**LIGHTING AND ELECTRICAL PLAN
HOMESTEAD STORAGE BUILDING**
1/8" = 1'-0"

NEW WORK KEYED NOTES:

1. CONTRACTOR TO PROVIDE AND INSTALL NEW 1" X 4" SURFACE MOUNTED LED LIGHTING FIXTURES AND ROUTE REQUIRED POWER FROM 120V/208V PANEL. "LP1", REFER TO THE LIGHTING FIXTURE SCHEDULE. AND SECTION VIEW 2-E11 THIS DWG. FOR ADDITIONAL INFORMATION.

2. CONTRACTOR TO PROVIDE AND INSTALL A SURFACE MTD. TOGGLE SWITCH WITH BACK BOX AND FACEPLATE FOR ROOM LIGHTING. TYPICAL FOR 6. (SWITCH AND FACEPLATE COLOR BY ARCHITECT). MOUNTING HEIGHT TO BE ADA COMPLIANT. REFER TO LIGHTING NOTE #7 THIS DRAWING.

3. CONTRACTOR TO PROVIDE AND INSTALL A SURFACE MTD. 20A, DUPLEX RECP. WITH BACKBOX AND COVERPLATE. CONTRACTOR TO ROUTE 2#12/1#12G IN 3/4" C FROM PANEL. LP11, MTC. HEIGHT 18" AFF. UON. (RECP. AND COVERPLATE COLOR BY ARCHITECT) CONTRACTOR TO COORDINATE ROUTE-IN. LOCATIONS WITH OWNER BEFORE ROUGH-IN.

4. CONTRACTOR TO PROVIDE AND INSTALL A NEW WALL MOUNTED 480/277V 3PH, 4W, 225A PANELBOARD, 30CKT. TAGGED: "HP1". REFER TO DWG. E40 FOR OWNER OR HIS REPRESENTATIVE BEFORE NAMEPLATE FABRICATION. REFER TO DWG. E00, NOTE 15 FOR NAMEPLATE FABRICATION.

5. CONTRACTOR TO PROVIDE AND INSTALL A NEW FLOOR MOUNTED, DRY TYPE COPPER WOUND 30KVA TRANSFORMER. 480V-208/120V. 3PH, 4 WIRE TAGGED: "TR1".

6. CONTRACTOR TO PROVIDE AND INSTALL A NEW WALL MOUNTED 120/208V 3PH, 4W, NEMA-1 PANELBOARD, 30CKT. WITH 225A MAINS. TAGGED: "LP1". REFER TO DWG. E40 FOR ONE-LINE DIAGRAM AND PANEL SCHEDULE.

7. CONTRACTOR TO PROVIDE AND INSTALL A 4" CONCRETE HOUSEKEEPING PAD BEFORE INSTALLATION OF NEW 30KVA TRANSFORMER.

8. CONTRACTOR TO PROVIDE AND INSTALL A SURFACE MOUNTED DUAL TECHNOLOGY OCCUPANCY ROOM SENSOR WITH ASSOCIATED POWER PACK FOR ROOM LIGHTING CONTROL. REFER TO LIGHTING NOTES THIS DRAWING, AND DETAIL #2 ON DRAWING E70 FOR CONTROL SCHEMATIC.

9. CONTRACTOR TO PROVIDE AND INSTALL (1) SURFACE MTD. 20A, TOGGLE SWITCH WITH BACK BOX AND FACEPLATE FOR UTILITY ROOM LIGHTING. (SWITCH AND FACEPLATE COLOR BY ARCHITECT). MOUNTING HEIGHT TO BE ADA COMPLIANT.

10. CONTRACTOR TO PROVIDE AND INSTALL A WALL MOUNTED EMERGENCY LIGHT FIXTURE. 3" FROM EDGE OF DOOR FRAME. MOUNTING HEIGHT 7'-6" (TYPICAL FOR 7) POWERED FROM PANEL. "LP1". REFER TO LIGHTING NOTE #9, AND LIGHT FIXTURE SCHEDULE THIS DWG.

11. CONTRACTOR TO PROVIDE AND INSTALL A (2) HEAD WALL MOUNTED OUTDOOR REMOTE LIGHT FIXTURE POWERED FROM NEW INDOOR EMERGENCY FIXTURE. (TYPICAL FOR 7) CONTRACTOR TO PROVIDE 2HR. FIRE STOPPING AT WALL PENETRATION. OUTDOOR UNIT TO BE OF SAME MANUFACTURER AS INDOOR UNIT. MOUNTING HEIGHT 7'-6". REFER TO LIGHT FIXTURE SCHEDULE THIS DWG.

12. CONTRACTOR TO PROVIDE AND INSTALL A SURFACE MTD. 20A, 120V, GFI DUPLEX CONVENIENCE RECP. WITH BACKBOX AND COVERPLATE 6" FROM EDGE OF DOOR FRAME. (TYPICAL FOR 7) CONTRACTOR TO ROUTE 2#12, 1#12G IN 3/4" C FROM PANEL. "LP1", MTC. HEIGHT 18" AFF. UON. (RECP. AND COVERPLATE COLOR BY ARCHITECT) CONTRACTOR TO COORDINATE RECP. LOCATIONS WITH OWNER BEFORE ROUGH-IN.

13. CONTRACTOR TO PROVIDE AND INSTALL (1) SURFACE MOUNTED BACKBOX WITH BLANK COVER IN EACH STORAGE ROOM FOR FUTURE FIRE ALARM INSTALLATION. CONTRACTOR ROUTE 1" RGS CONDUIT WITH DRAG LINE BETWEEN BOXES AS SHOWN. CONTRACTOR TO MOUNT EACH BOX AT PEAK OF STORAGE ROOM. CONDUIT TO BE PAINTED "RED" WITHIN STORAGE BUILDING. REFER TO DWG. E70, DETAIL 2-E70 FOR BACKBOX MOUNTING DETAIL. TRANSITION TO 1" PVC BELOW GRADE TO HIGH SCHOOL BUILDING. CONTRACTOR TO ROUTE A "SPARE" 1" PVC WITH DRAG LINE AS SHOWN IN DUCTBANK DETAIL "A", ON DWG. E70 AND MOUNTING DETAIL 3 ON DRAWING E70. PROVIDE 2HR. FIRE STOPPING AT EXTERIOR WALL PENETRATION.

14. CONTRACTOR TO PROVIDE AND INSTALL A WALL MOUNTED 100A, 120/240V 1PH, PANELBOARD "PB1" IN PRESSBOX. (APPROX. LOCATION SHOWN) CONTRACTOR TO REFER TO DANT CLAYTON DRAWINGS FOR ELECTRICAL PLANS AND DETAILS BEFORE ROUGH-IN, AND REFER TO DRAWING E40 FOR ONE-LINE DIAGRAM.

LIGHTING NOTES:

1. ALL OCCUPANCY SENSOR LOCATIONS ARE APPROXIMATE. COORDINATE WITH INSTALLATION. VERIFY AND COORDINATE AMOUNT OF CEILING OCCUPANCY SENSORS AND COVER RANGE NEEDED FOR ROOMS/AREAS WITH CEILING OR WALL MOUNTED OCCUPANCY SENSORS.

2. MAXIMUM NUMBER OF SENSORS THAT CAN BE WIRED IN PARALLEL TO A SINGLE ROOM CONTROLLER OR POWER PACK DEPENDS ON THE SENSOR MAKE AND MODEL NUMBER.

3. ONE POWER PACK, UON, SHALL BE REQUIRED FOR EACH CIRCUIT THAT IS TO BE CONTROLLED.

4. POWER PACKS SHOULD BE MOUNTED AT LEAST 6"-12" FROM ANY PER THE REQUIREMENTS OF THE NATIONAL ELECTRIC CODE AREAS LABELED AS MECHANICAL OR ELECTRICAL ARE NOT TO BE CONTROLLED BY AUTOMATED LIGHTING CONTROL SYSTEMS.

5. CEILING MOUNTED OCCUPANCY SENSORS SHALL BE PROGRAMMED THAT THEY ARE MANUAL ON AND AUTOMATIC OFF. AFTER 20 MINUTES OF VIBRATION OF THE CEILING SENSORS SHALL BE PROGRAMMED WITH THE LOCATION OF THE CEILING SENSORS. THE PROGRAMMING WITH THE LOWER CASE LETTER NEXT TO WALL MOUNTED OCCUPANCY SENSOR AND LIGHT FIXTURE ARE CONTROLLED BY THAT OCCUPANCY SENSOR AND WALL SWITCH, TYPICAL FOR CEILING MOUNTED OCCUPANCY SENSORS.

6. LIGHTING SWITCHES INTERCONNECTED WITH OCCUPANCY SENSORS SHALL BE INTERCONNECTED WITH MANUFACTURER'S RECOMMENDED CABLING. INSTALL AND WIRE POWER PACKS AND REQUIRED COMPONENTS PER MANUFACTURER'S SPECIFICATIONS.

7. THE CONTRACTOR SHALL BE RESPONSIBLE FOR FIELD VERIFICATION OF THE REQUIRED NUMBER OF POWER PACKS.

8. ALL LIGHT FIXTURES AND ILLUMINATED EXIT LIGHTS HAVING EMERGENCY BATTERY PACKS SHALL BE CONNECTED AHEAD OF LIGHT OCCUPANCY SENSOR/POWER PACK AND LIGHT SWITCH (UNSWITCHED PHASE CONDUCTOR) OF THE PARTICULAR CIRCUIT INDICATED.

9. ALL PAINTED SURFACES ARE TO BE SCRAPED AND CLEANED BEFORE ATTACHING GROUND CABLES, THEN REPAINTED.

10. ALL WALL PENETRATIONS ARE TO BE PROVIDED WITH A 2HR. RATED FIRE STOP.

GENERAL NOTES:

1. REFER TO DRAWING NUMBER E00 FOR GENERAL NOTES, CONDUIT, WIRE AND GROUNDING.

2. CONNECT NEW LIGHTING FIXTURES THRU NEW SWITCHES TO NEW CIRCUITS SERVING HOSE AREAS CONNECT MORE THAN 1500VA PER 20A, 1-PHASE, 120 VOLT CIRCUIT BREAKER. REFER TO FUTURE SCHEDULE THIS DRAWING FOR INFORMATION.

3. CONTRACTOR SHALL DETERMINE EXACT CIRCUITING ARRANGEMENTS IN FIELD AND UPDATE PANEL SCHEDULES (TYPE WRITTEN) THAT ARE FIELD AFFECTED BY THIS WORK.

4. CONTRACTOR SHALL COORDINATE MOUNTING HEIGHTS AND LOCATION OF ALL ELECTRICAL DEVICES WITH ARCHITECTURAL PLANS, AND CONFIRM FINAL LOCATION WITH OWNER'S REPRESENTATIVE.

5. ELECTRICAL CONTRACTOR SHALL FIELD VERIFY FIXTURE QUANTITY AND VOLTAGE PRIOR TO ORDERING NEW LIGHT FIXTURES.

6. ELECTRICAL CONTRACTOR SHALL PROVIDE 90 MIN. BATTERY BACK-UP FOR EMERGENCY LIGHTING FIXTURES.

7. CIRCUIT NUMBERS SHOWN ADJACENT TO WIRING DEVICE SYMBOLS ARE FED FROM NEW 120/208V PANELBOARD "LP1" UON.

8. ANY RECEPTACLE INSTALLED WITHIN 6' FROM A WATER SOURCE TO BE PROVIDED WITH A GROUND FAULT INTERRUPTED CIRCUIT BREAKER OR A GFI RECEPTACLE.

9. HEIGHT OF NEW PANELBOARDS TO BE 6'-6" FROM FIN. FLR. TO TOP MOST BREAKER HANDLE.

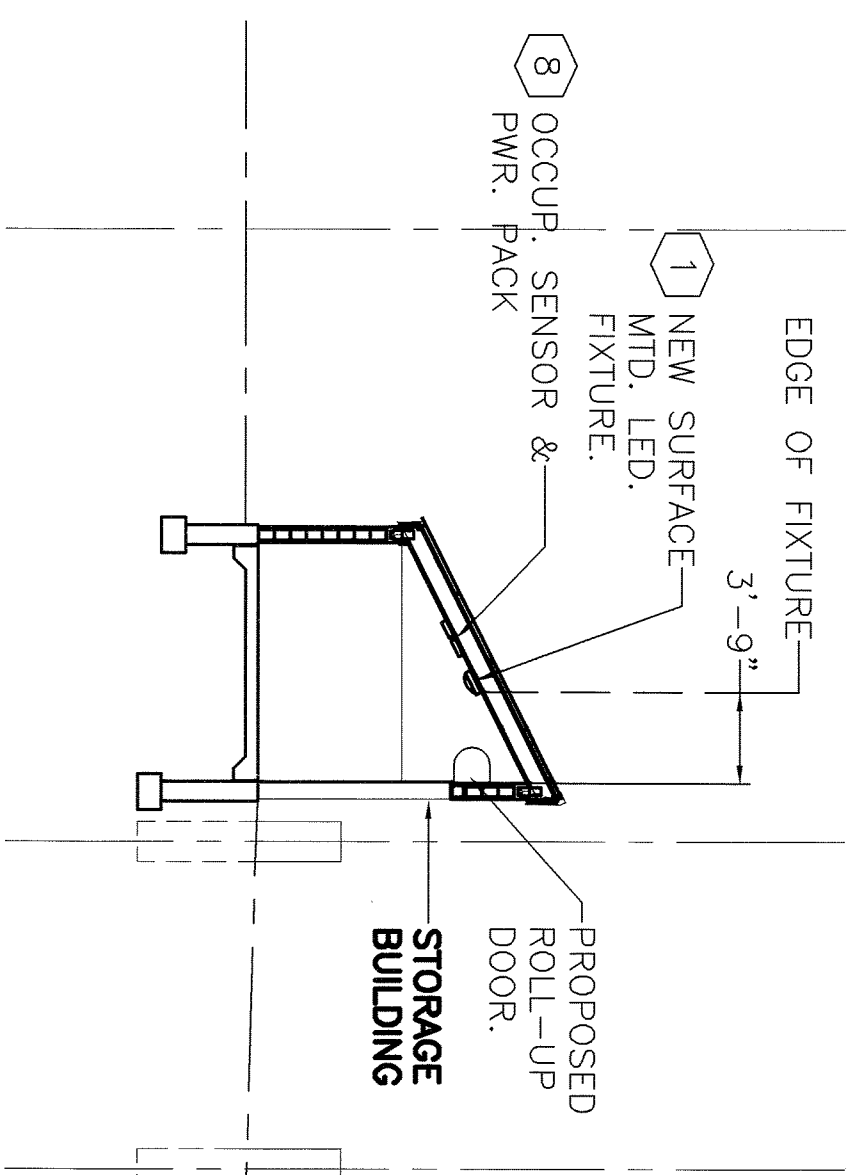
10. CONTRACTOR SHALL COORDINATE WITH OTHER TRADES AS TO CONFORM THE EXACT FINAL LOCATION OF THEIR RESPECTIVE EQUIPMENT, SUPPLY POWER AND MAKE CONNECTIONS TO MOTORS, EQUIPMENT ETC. REQUIRING ELECTRICAL CONNECTIONS AS INDICATED ON THE ELECTRICAL DRAWINGS, AND DRAWINGS OF OTHER TRADES. REVIEW THE DRAWINGS OF OTHER TRADES FOR CONTROL DIAGRAMS, SIZE AND LOCATION OF EQUIPMENT.

11. UNLESS PROVIDED BY EQUIPMENT MANUFACTURER, DISCONNECT SWITCHES, STARTERS, VFDs, WIRING, CONTROLS, WHICH ARE PROVIDED FOR MECHANICAL PLUMBING AND OTHER OPERATIONS SHALL BE PROVIDED BY THE CONTRACTOR. THE CONTRACTOR IS RESPONSIBLE TO OBTAIN MANUFACTURER'S SHOP DRAWINGS OF EQUIPMENT PROVIDED BY OTHER TRADES PRIOR TO ROUGHING IN THE CONDUITS AND WIRING TO EQUIPMENT.

12. ALL PAINTED SURFACES ARE TO BE SCRAPED AND CLEANED BEFORE ATTACHING GROUND CABLES, THEN REPAINTED.

13. ALL WALL PENETRATIONS ARE TO BE PROVIDED WITH A 2HR. RATED FIRE STOP.

SECTION VIEW AT PRESS-BOX
1/8" = 1'-0"



SYMBOL	LABEL	MANUF.	CAT. NO.	TYPE	WATTS	FIXTURE VOLTS
□	A	H.E.WILLIAMS LITHONIA, METALUX OR APPROVED EQUAL	4' SURFACE MOUNT LINEAR DIRECT L.E.D WITH WHITE FROSTED LENS. FIXTURE COLOR: WHITE. H.E.WILLIAMS CAT.#39-4-L32-840-A-X-DIM-UUV	LED	51	120-277
□	EX1	MULE, EMERG-LITE, LITHONIA OR APPROVED EQUAL	THERMOPLASTIC LED EMERG. LIGHT WITH (2) HEADS WITH WIRE GUARDS AND WIRE NUTS. NICKEL SILVER SUITABLE FOR (2) ADDITIONAL REMOTE HEADS. FIXTURE COLOR: WHITE	LED	2	120-277
□	EX2	MULE, EMERG-LITE, LITHONIA OR APPROVED EQUAL	(2) HEAD DIE-CAST ALUM. REMOVE LIGHT FIXTURE WITH UUV, MTC. BASE. VOLTAGE RANGE: 3.6-12 VOLT DC. OUTDOOR RATED. COLOR: GRAY WITH WIRE GUARD. MULE LIGHTING CAT.#50-80-LED-W-REM	LED	1.8	120-277

CONTRACTOR NOTES:

1. CONTRACTOR TO FIELD VERIFY FIXTURE QUANTITY PRIOR TO PURCHASE.
2. CONTRACTOR TO PROVIDE COMPLETE PHOTOMETRICS FOR ANY ALTERNATE LIGHTING FIXTURE.
3. ALL LIGHTING FIXTURES TO BE U.L. LISTED.
4. ALL LIGHTING FIXTURES TO BE PROVIDED WITH ALL MANUFACTURERS REQUIRED MOUNTING HARDWARE.

LIGHT FIXTURE SCHEDULE

3 E11

NOTES:

1. REFER TO DRAWING NUMBER E01 FOR ELECTRICAL SITE PLAN.
2. PROVIDE DRAG LINES IN ALL EMPTY CONDUITS.
3. CONTRACTOR TO PROVIDE PANEL AND CIRCUIT INFORMATION AT ALL NEW DEVICES INSTALLED, AND UPDATE PANEL LISTINGS.

NJDDE STATE PROJECT NO.: 4130-050-19-4000		PROJECT NO. E38531.01	
SCALE AS NOTED	PROJECT PISCATAWAY HIGH SCHOOL BLEACHERS, FIELD LIGHTING & STORAGE FACILITY REPLACEMENT NEW JERSEY	EA DRAWING NO. E11	DATE 4 NOV 2019
DESIGN BY: [Signature]	ARCHITECT: BI Associates ARCHITECTS & ENGINEERS, PA 8 BROADWAY, SUITE 200, NEW JERSEY 07102-3777	APPROVED BY: [Signature]	DATE
DESIGNED BY: [Signature]	PROFESSIONAL ENGINEER LICENSE NO. 35881	APPROVED BY: [Signature]	DATE
CHECKED BY: [Signature]	PROJECT PISCATAWAY HIGH SCHOOL BLEACHERS, FIELD LIGHTING & STORAGE FACILITY REPLACEMENT NEW JERSEY	APPROVED BY: [Signature]	DATE
DATE		APPROVED BY: [Signature]	DATE
ISSUED FOR BID AND CONSTRUCTION	REVISION DESCRIPTION	APPROVED BY: [Signature]	DATE
0		APPROVED BY: [Signature]	DATE