

PANELBOARD NAME: HP1										
PANEL LOCATION: BLEACHERS UTILITY RM.										
SUPPLIED FROM: UTILITY										
CKT	TRIP	NO.	WIRE / GND / COND	LOAD SERVED	LOAD	Ø	LOAD	NO.	TRIP	CKT
NO.	AMPS	POLES			VA		VA	POLES	AMPS	NO.
1	70	3	3#6 #10 GND, 3#4 C	TRANSFORMER TR1	15000	A	15000	3	125	2
2					15000	C	15000			3
3						A				4
4						B				5
5						C				6
6						A				7
7						B				8
8						C				9
9						A				10
10						B				11
11						C				12
12						A				13
13						B				14
14						C				15
15						A				16
16						B				17
17						C				18
18						A				19
19						B				20
20						C				21
21						A				22
22						B				23
23						C				24
24						A				25
25						B				26
26						C				27
27						A				28
28						B				29
29						C				30

NEW 277/480V PANELBOARD "HP1"
UTILITY ROOM - STORAGE BUILDING

NTS (E40)

PANELBOARD NAME: LP1										
PANEL LOCATION: BLEACHER UTILITY RM.										
SUPPLIED FROM: UTILITY										
CKT	TRIP	NO.	WIRE / GND / COND	LOAD SERVED	LOAD	Ø	LOAD	NO.	TRIP	CKT
NO.	AMPS	POLES			VA		VA	POLES	AMPS	NO.
1	80	3	3#6 #10 GND, 1" C	AMPLIFIER SHED PANEL "RP1"	2400	A	2400	3	150	2
2					2400	B	2400			3
3					2400	C	2400			4
4						A				5
5						B				6
6						C				7
7	100	2	2#1 #6 GND, 1/2" C	PRESSBOX/PANEL "PB1"	2400	A	2400	2	20	8
8					2400	B	2400			9
9					2400	C	2400			10
10						A				11
11	40	2	2#6 #10 GND, 3/4" C	TICKET BOOTH "TB1"	2400	A	2400	2	20	12
12					2400	B	2400			13
13					2400	C	2400			14
14						A				15
15						B				16
16						C				17
17						A				18
18						B				19
19						C				20
20						A				21
21						B				22
22						C				23
23						A				24
24						B				25
25						C				26
26						A				27
27						B				28
28						C				29
29						A				30

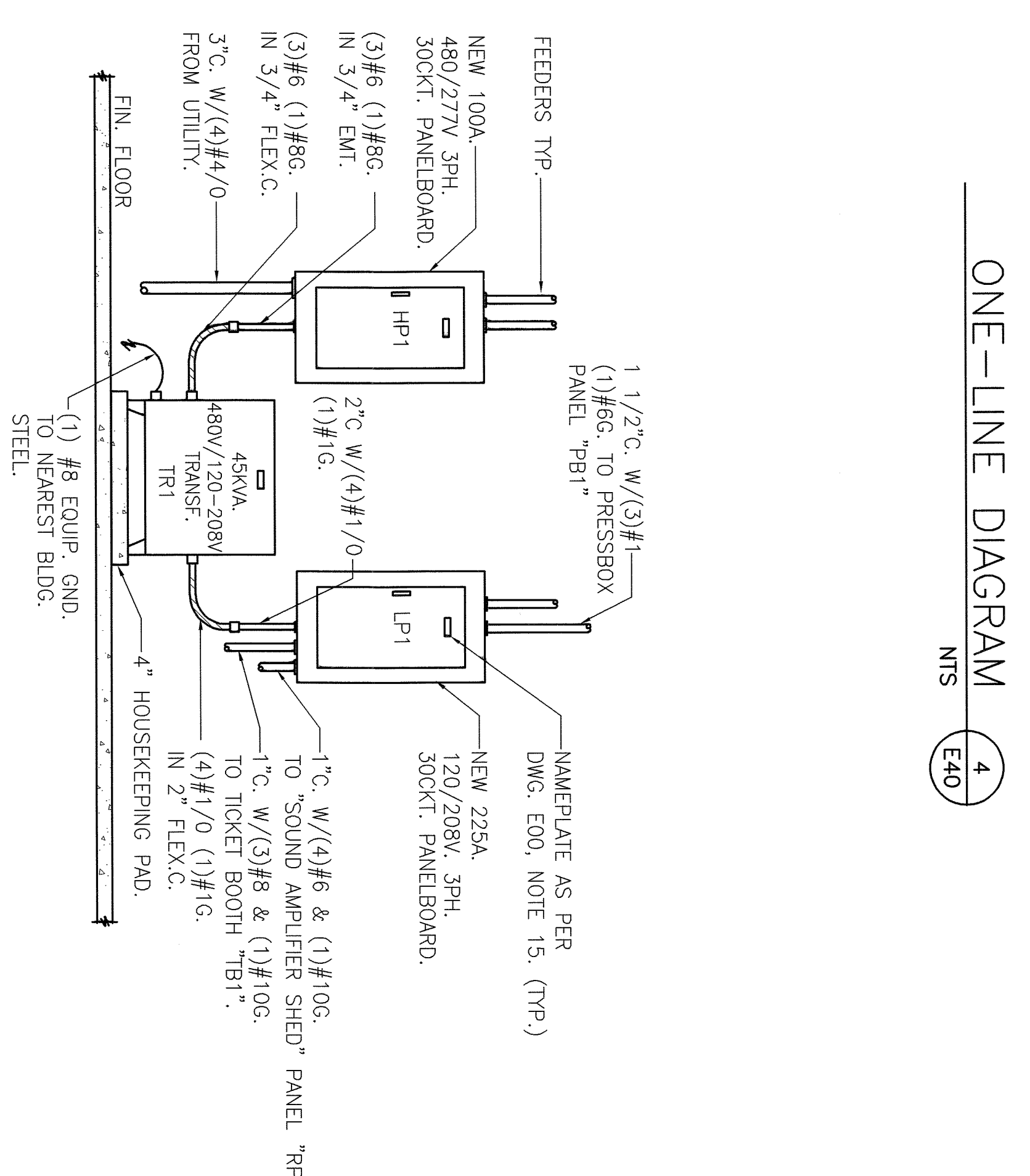
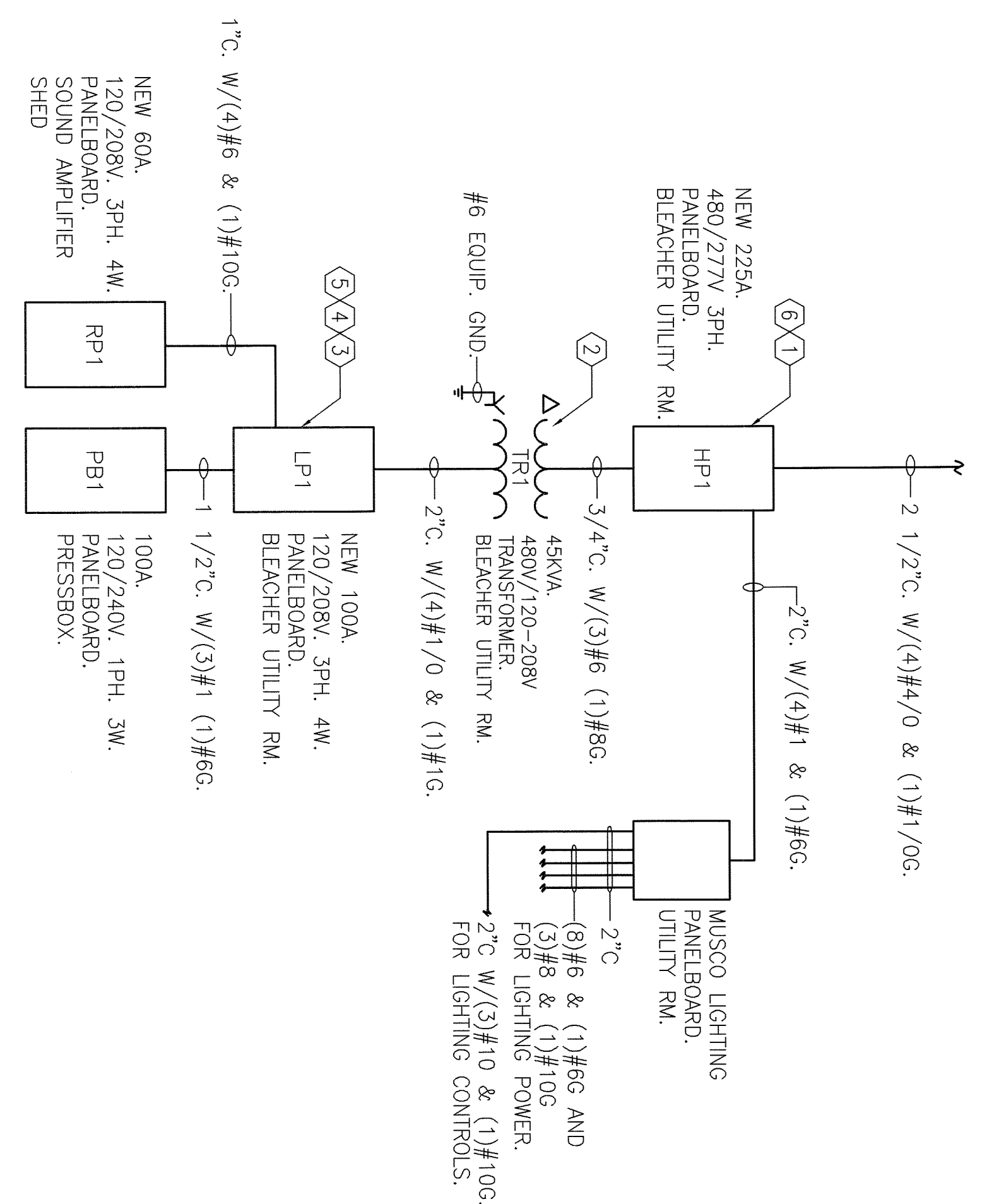
NEW 120/208V PANELBOARD "LP1"
UTILITY ROOM - STORAGE BUILDING

NTS (E40)

PANELBOARD NAME: RP1										
PANEL LOCATION: SOUND AMPLIFIER SHED										
SUPPLIED FROM: LP1										
CKT	TRIP	NO.	WIRE / GND / COND	LOAD SERVED	LOAD	Ø	LOAD	NO.	TRIP	CKT
NO.	AMPS	POLES			VA		VA	POLES	AMPS	NO.
1	20	1	2#12 #12 GND, 3/4" C	SOUND EQUIPMENT	2400	A	2400	1	20	2
2					2400	B	2400			3
3					2400	C	2400			4
4						A				5
5						B				6
6						C				7
7						A				8
8						B				9
9						C				10
10						A				11
11						B				12
12						C				13
13						A				14
14						B				15
15						C				16
16						A				17
17						B				18
18						C				19
19						A				20
20						B				21
21						C				22
22						A				23
23						B				24
24						C				25
25						A				26
26						B				27
27						C				28
28						A				29
29						B				30

NEW 120/208V PANELBOARD "RP1"
SOUND AMPLIFIER SHED

NTS (E40)



- NOTES:
- REFER TO DRAWING NUMBER E00 FOR GENERAL NOTES, CONDUIT, WIRE AND GROUNDING.
 - REFER TO DRAWING NUMBER E01 FOR ELECTRICAL SITE PLAN.
 - CONTRACTOR TO PROVIDE PANEL AND CIRCUIT INFORMATION AT ALL NEW DEVICES INSTALLED, AND UPDATE PANEL LISTINGS.

- KEYED NOTES:
- CONTRACTOR TO PROVIDE AND INSTALL A 480/277V, 3PH, 4W, 30 CKT. PANELBOARD TAGGED "HP1". SEE SCHEDULE 1-E40 THIS DWG.
 - CONTRACTOR TO PROVIDE AND INSTALL A NEW FLOOR MOUNTED, DRY TYPE COPPER WOUND 45KVA TRANSFORMER, 480V-208/120V, 3PH, 4 WIRE, TAGGED: "TR1".
 - CONTRACTOR TO PROVIDE AND INSTALL A 120/208V, 3PH, 4W, 30 CKT. PANELBOARD TAGGED "LP1". SEE SCHEDULE 2-E40 THIS DWG. PANELBOARD NAMEPLATES TO BE APPROVED BY OWNER OR HIS REPRESENTATIVE BEFORE NAMEPLATE FABRICATION.
 - CONTRACTOR TO PROVIDE AND INSTALL A 2 POLE, 100A, CIRCUIT BREAKER IN 120/208V PANELBOARD "LP1" FOR POWER TO PRESSBOX PANEL "PB1". REFER TO DANI CLATTON DRAWINGS FOR PANEL "PB1" SCHEDULE AND ADDITIONAL INFORMATION.
 - CONTRACTOR TO PROVIDE AND INSTALL A 3 POLE, 60A, CIRCUIT BREAKER IN 120/208V PANELBOARD "LP1" FOR POWER TO SOUND AMPLIFIER SHED PANELBOARD TAGGED "RP1". REFER TO OSTERGAARD ACOUSTICAL ASSOCIATES DRAWINGS FOR SOUND SYSTEM ADDITIONAL INFORMATION.
 - CONTRACTOR TO PROVIDE AND INSTALL A 3 POLE, 125A, CIRCUIT BREAKER IN 120/208V PANELBOARD "HP1" FOR POWER TO MUSCO LIGHTING PANELBOARD. SEE SCHEDULE 1-E40 THIS DWG.

CONTRACTORS NOTES:

- THE CONTRACTOR IS TO UPDATE ALL PANEL SCHEDULES (TYPE WRITTEN) EFFECTED BY THIS WORK.

NJDOE STATE PROJECT NO.: 4130-050-19-4000	
SCALE AS NOTED	PROJECT
DESIGNED BY: [Signature]	PISCATAWAY HIGH SCHOOL
CHECKED BY: [Signature]	BLEACHERS, FIELD LIGHTING & STORAGE FACILITY REPLACEMENT
APPROVED BY: [Signature]	NEW JERSEY
TITLE	ONE-LINE DIAGRAM AND PANEL SCHEDULES
PROJECT NUMBER	EA DRAWING NO. E40
DATE	4 NOV 2019
REVISION DESCRIPTION	BY DATE
0 ISSUED FOR BID AND CONSTRUCTION	RFS 4 NOV 2019

EA Associates
ARCHITECTS & ENGINEERS, PA
400 WEST WASHINGTON STREET, SUITE 200
PISCATAWAY, NJ 08854-3277

ROBERT E. MARSHALL, P.E.
PROFESSIONAL ENGINEER
LICENSE NO. NJ 35981