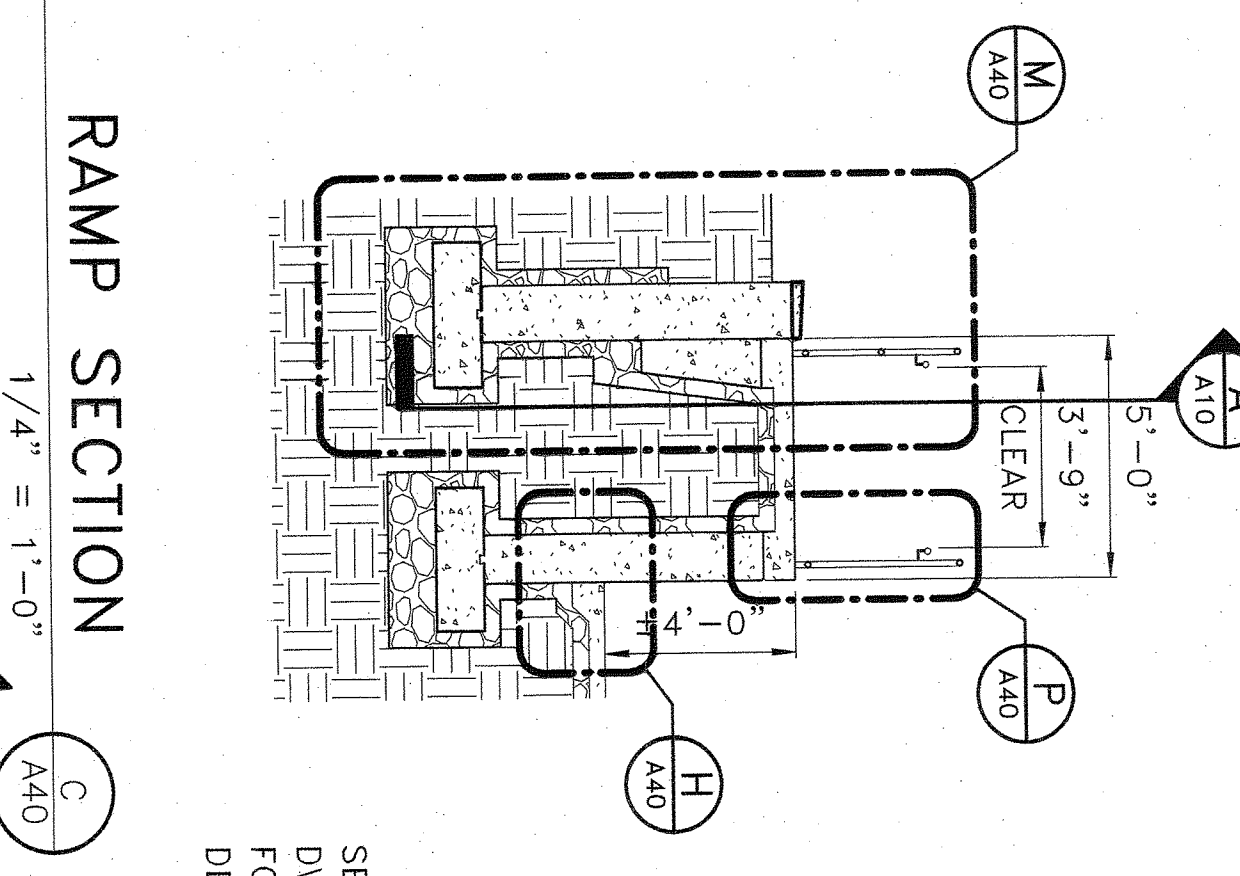
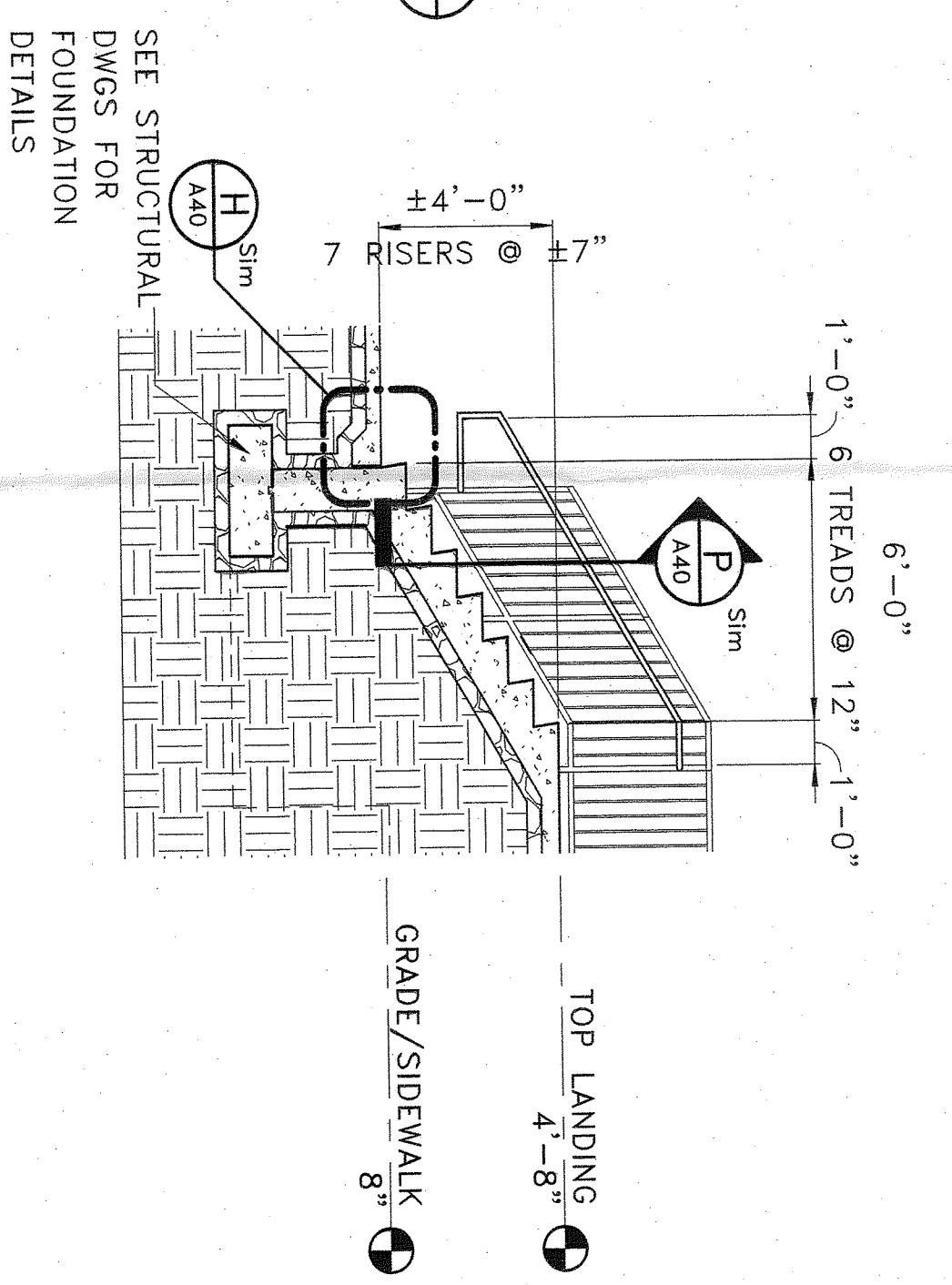


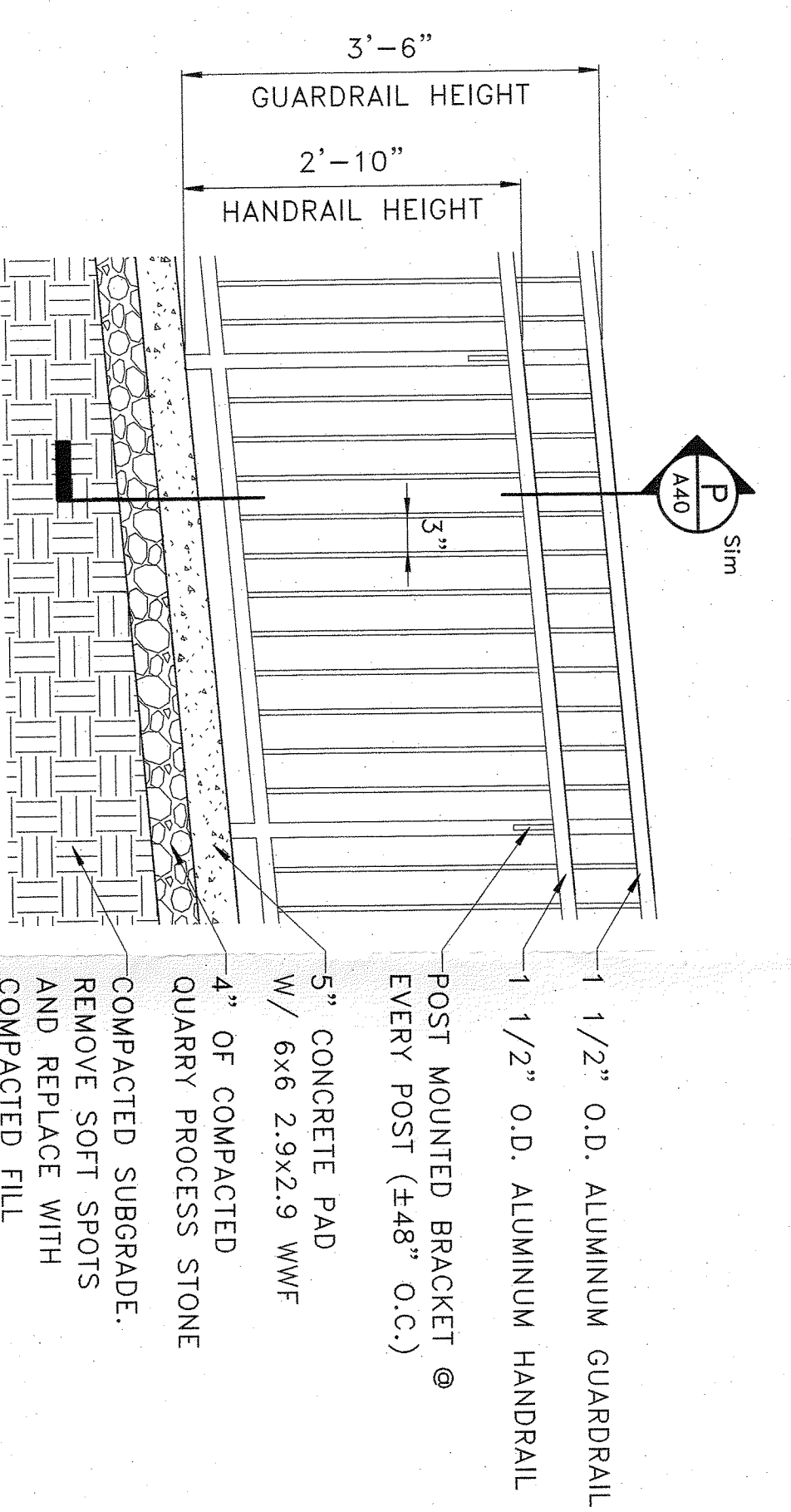
RAMP SECTION
1/4" = 1'-0" (A)



RAMP SECTION
1/4" = 1'-0" (M)

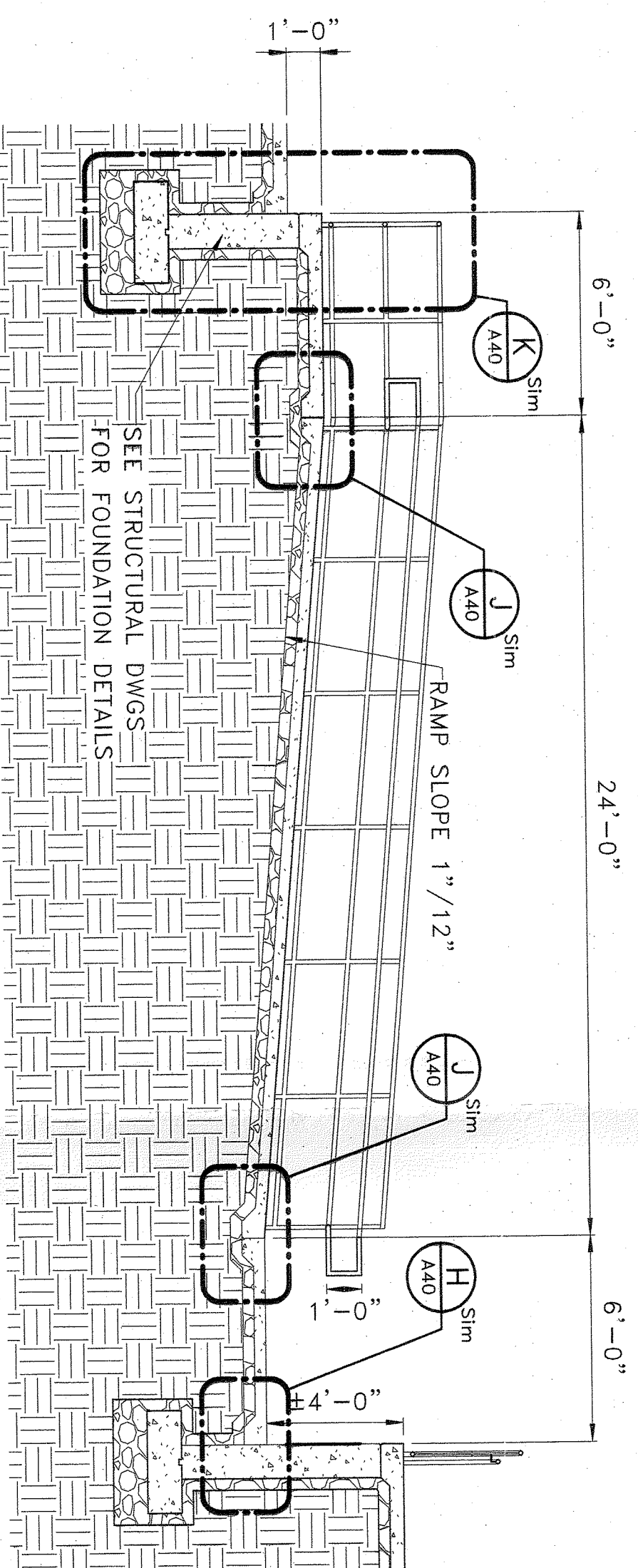


STAIR SECTION
1/4" = 1'-0" (K)

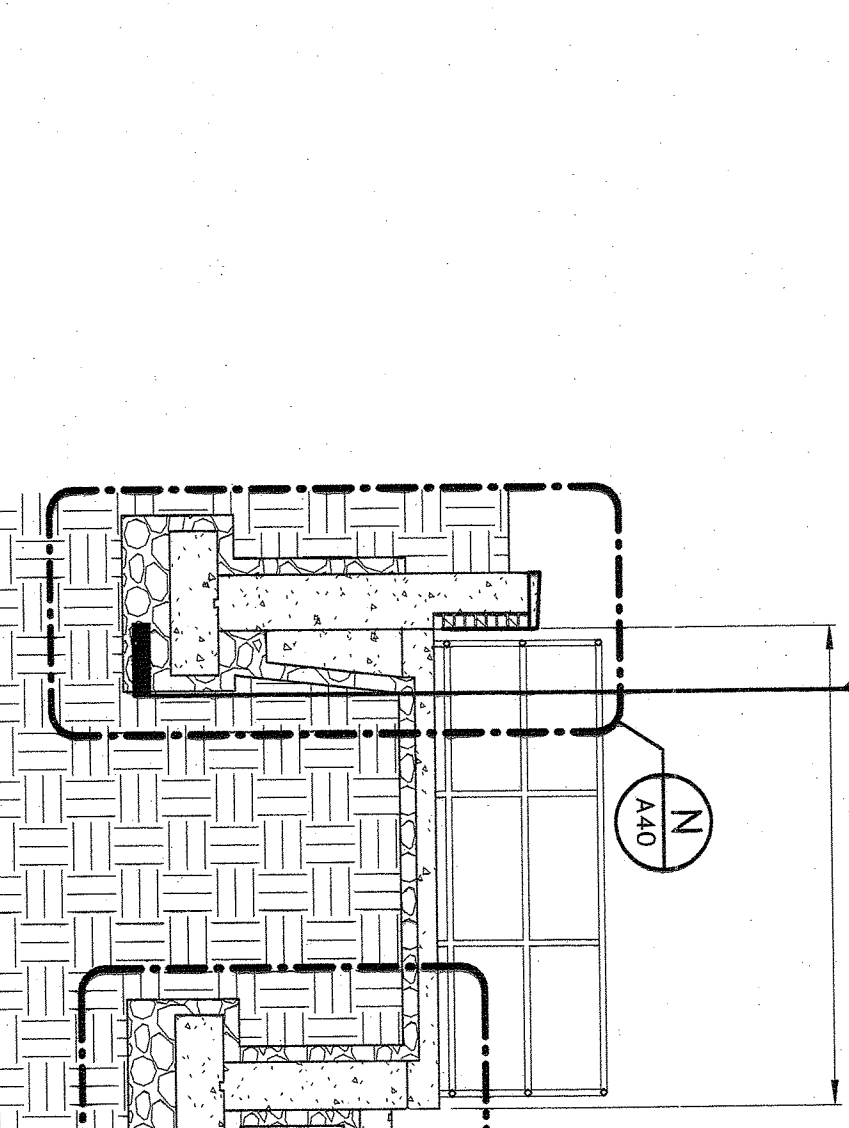


RAILING DETAIL
3/4" = 1'-0" (D)

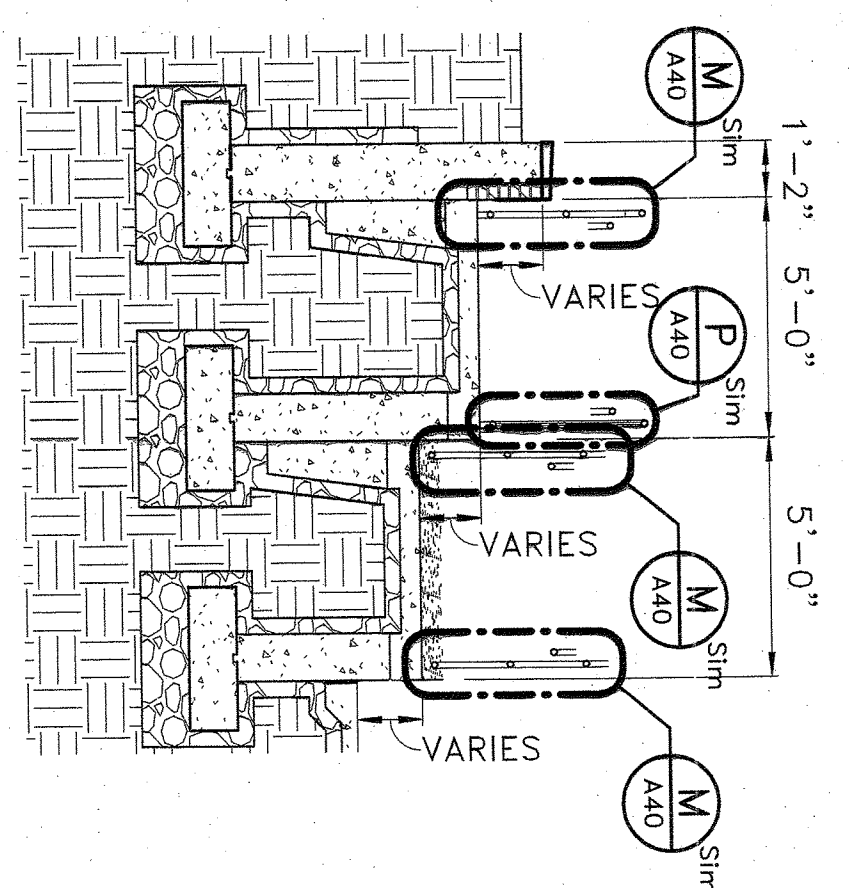
GENERAL NOTES:
ALL SPOT ELEVATIONS ARE SHOWN FOR GENERAL HEIGHT RELATIONSHIPS BETWEEN THE VARIOUS LEVELS. SEE CIVIL DRAWINGS FOR ACTUAL SPOT ELEVATIONS.



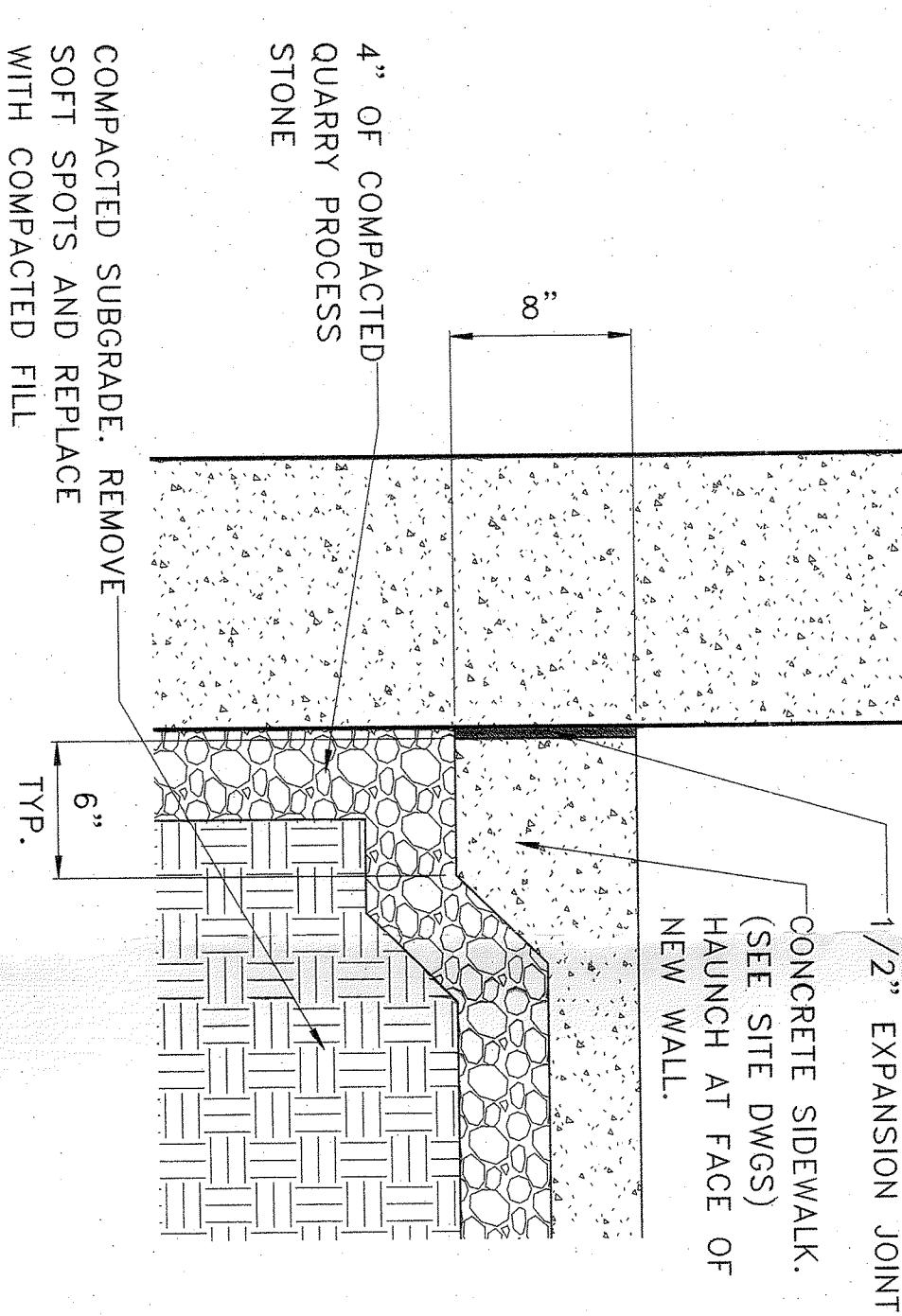
RAMP SECTION
1/4" = 1'-0" (B)



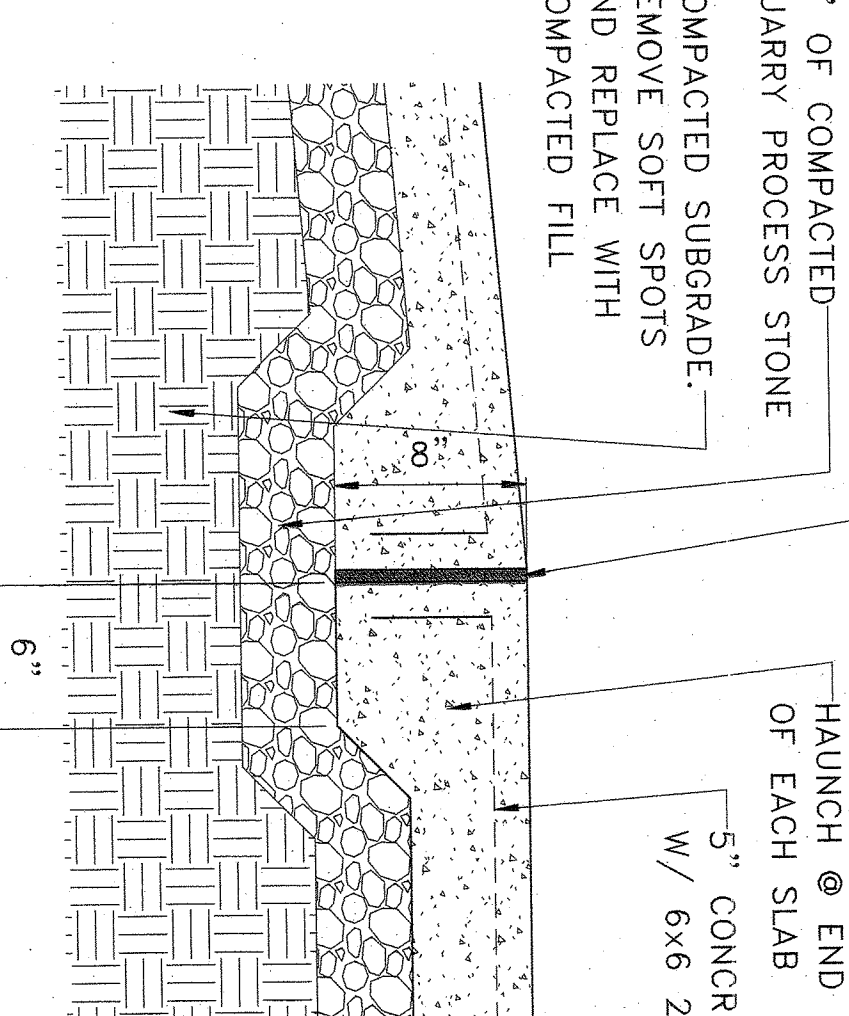
RAMP SECTION
1/4" = 1'-0" (C)



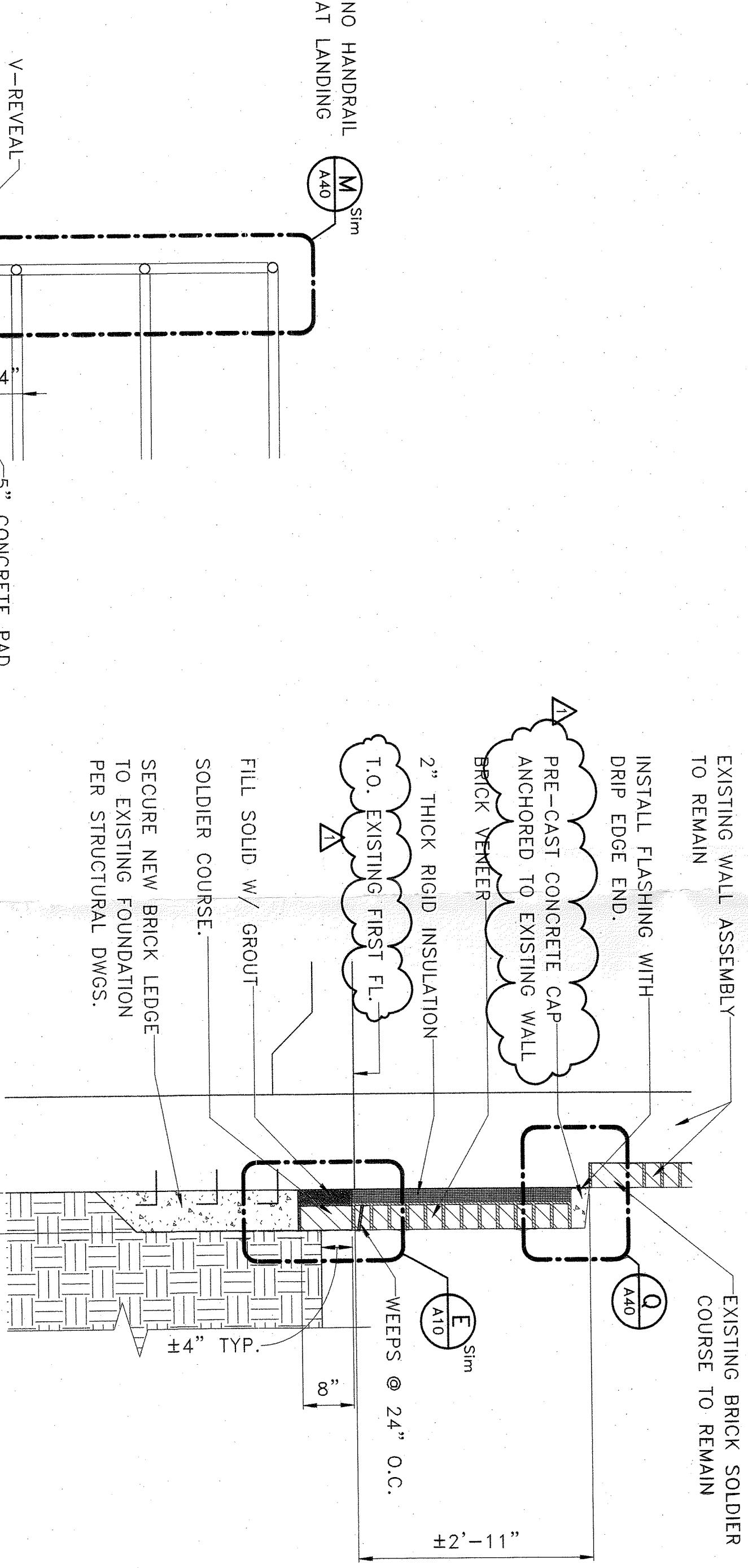
RAMP SECTION
1/4" = 1'-0" (E)



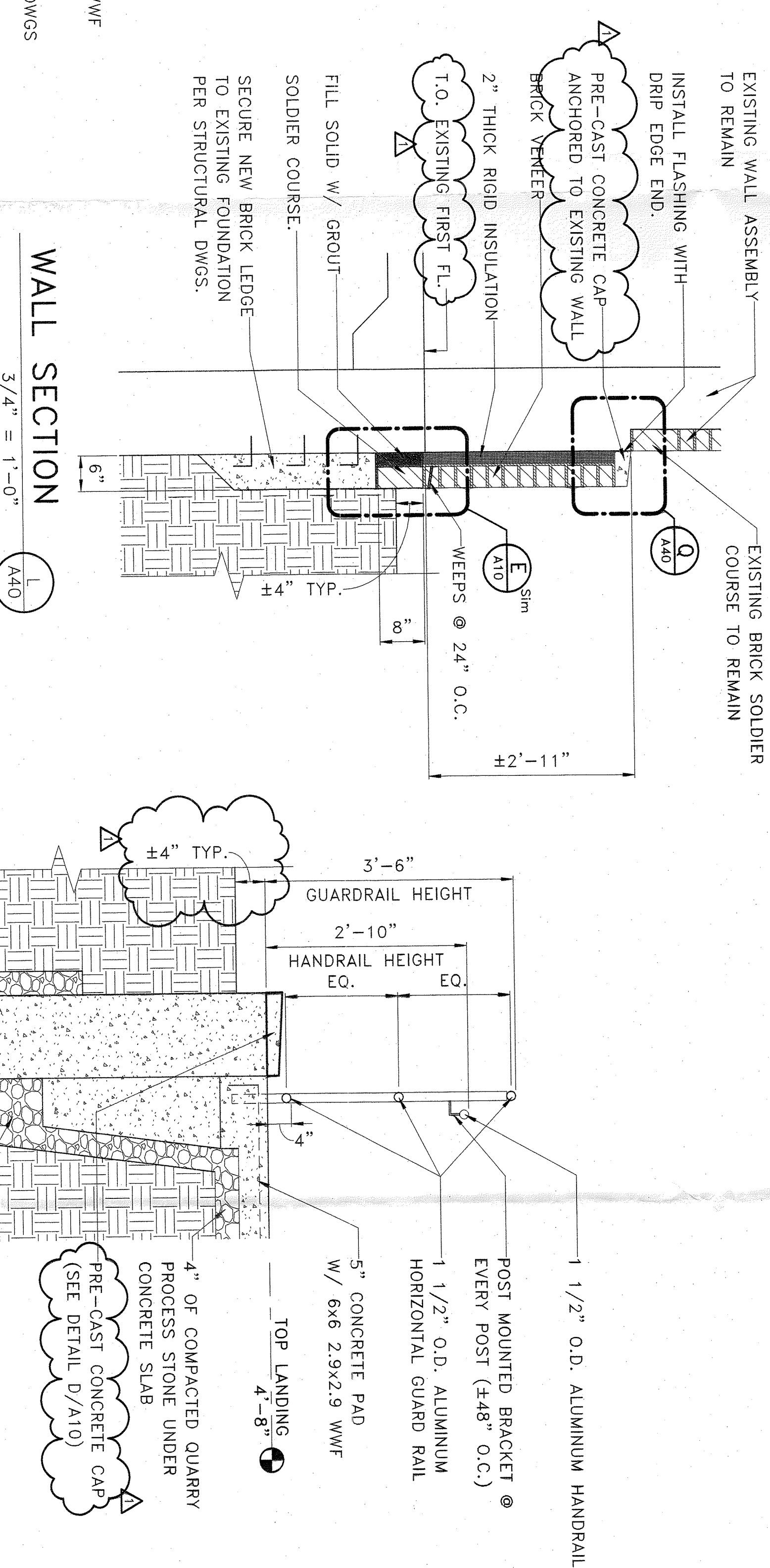
SECTION DETAIL
1 1/2" = 1'-0" (H)



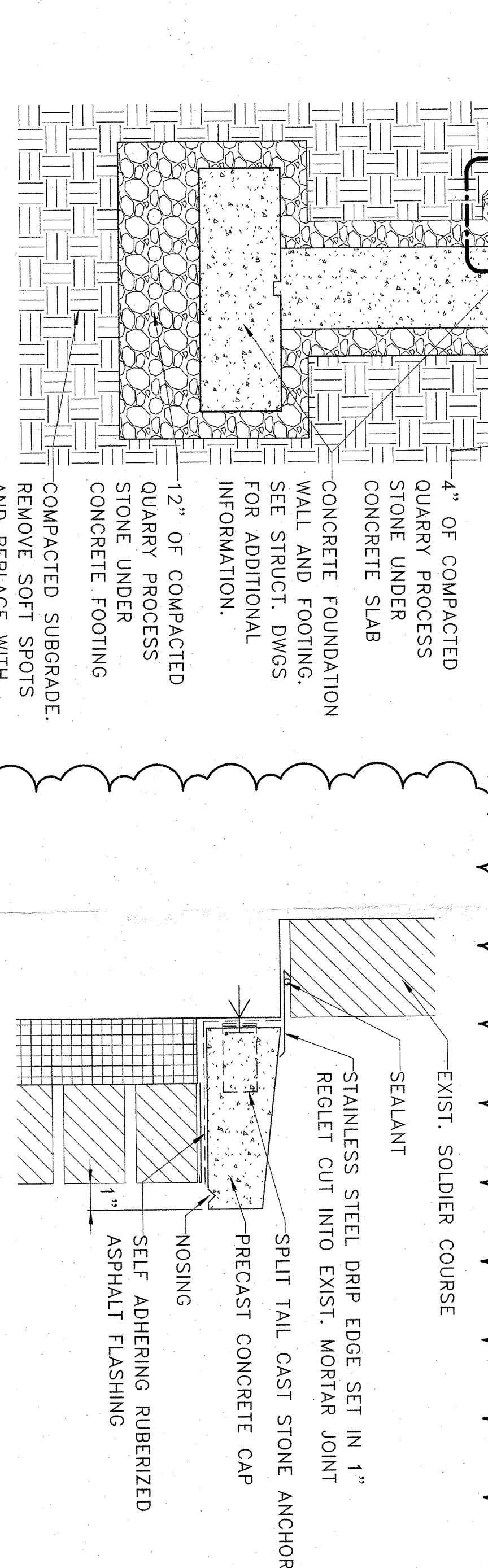
SECTION DETAIL
1 1/2" = 1'-0" (J)



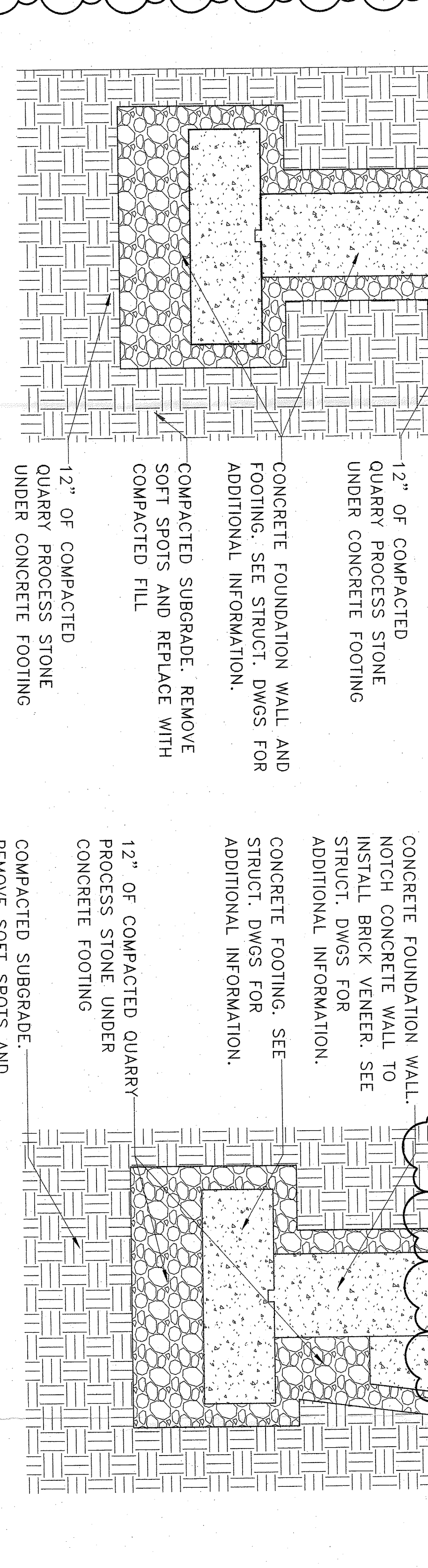
WALL SECTION
3/4" = 1'-0" (M)



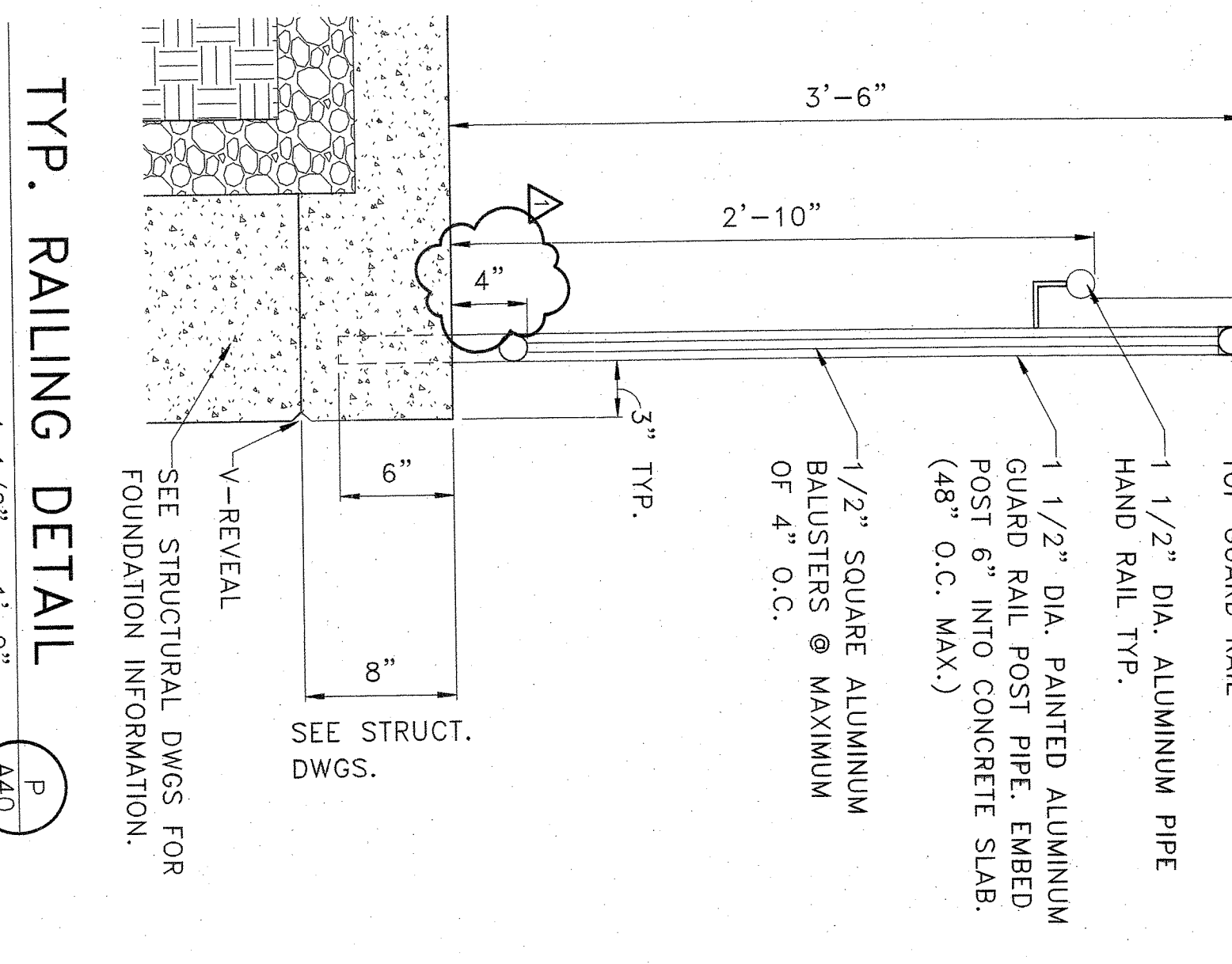
WALL SECTION
3/4" = 1'-0" (O)



WALL SECTION
3/4" = 1'-0" (N)



WALL SECTION
3/4" = 1'-0" (P)



TYP. RAILING DETAIL
1 1/2" = 1'-0" (A)

NDDE STATE PROJECT NO.: 4130-050-19-4000

ADDENDUM #	B/S	13 NOV/19
ISSUED FOR BID & CONSTRUCTION	B/S	04 NOV/19
REVISION DESCRIPTION	B/S	DATE

RTI EI Associates
ARCHITECTURE
ARCHITECTS & ENGINEERS, P.A.
8 RESERVE WAYNE CEMEX BUILDING, NJ 07872 973-726-7777

RICHARD F. BASTA, AIA REGISTERED ARCHITECT
LICENSE NO. NJ 10149

PROJECT: PISCATAWAY HIGH SCHOOL BLEACHERS, FIELD LIGHTING & STORAGE FACILITY REPLACEMENT NEW JERSEY
PROJECT PRINCIPAL: PISCATAWAY TOWNSHIP
PROJECT ARCHITECT: NEW JERSEY

SCALE: AS NOTED
DRAWN BY: MAA
DESIGNED BY: MAA
CHECKED BY: MAA
APPROVED BY: MAA
PROJECT MANAGER: MAA

CLIENT DRAWING NO. EI PROJECT NO. EI 585531.01

A40

TITLE: ENTRANCE RAMP & STAIR SECTIONS