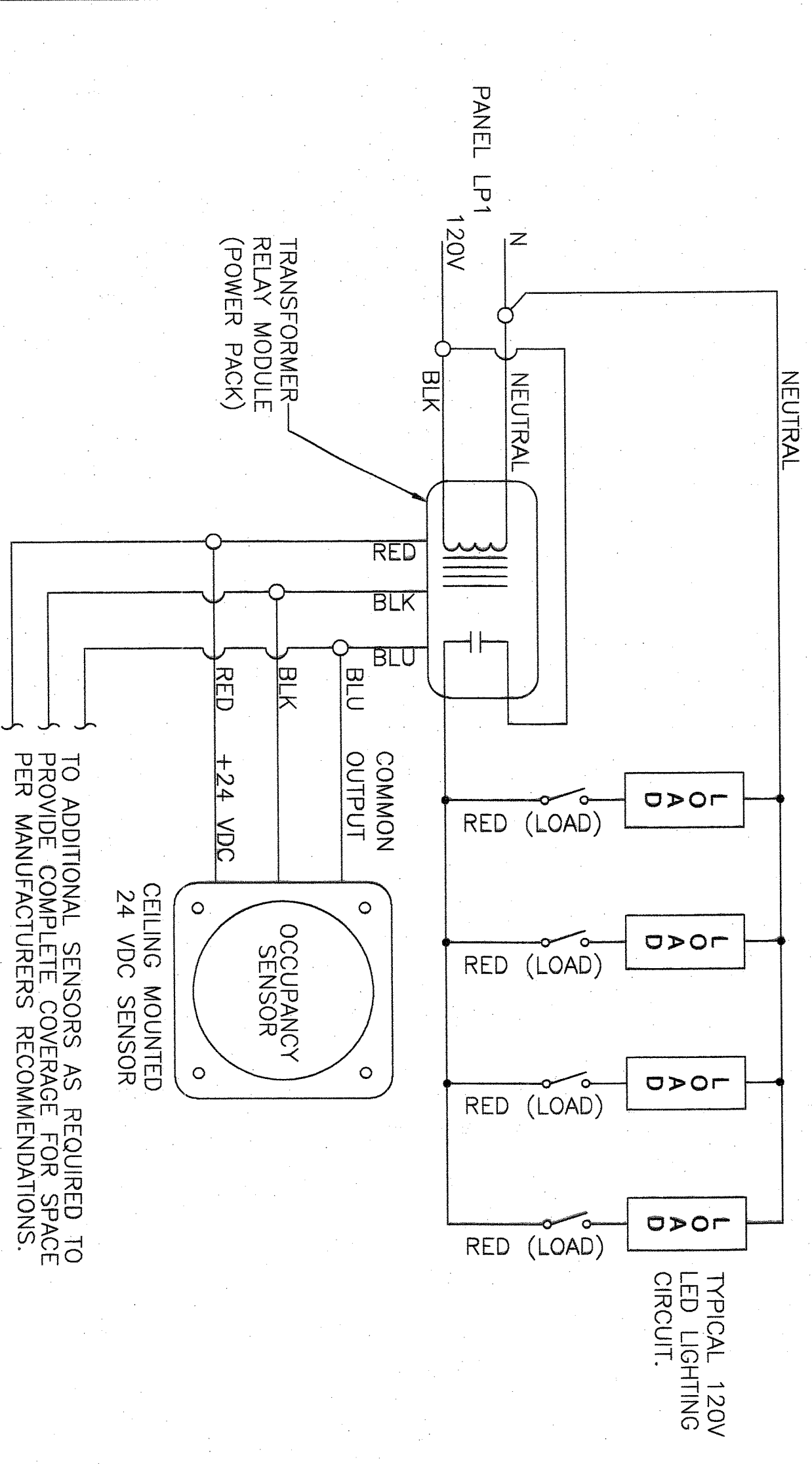
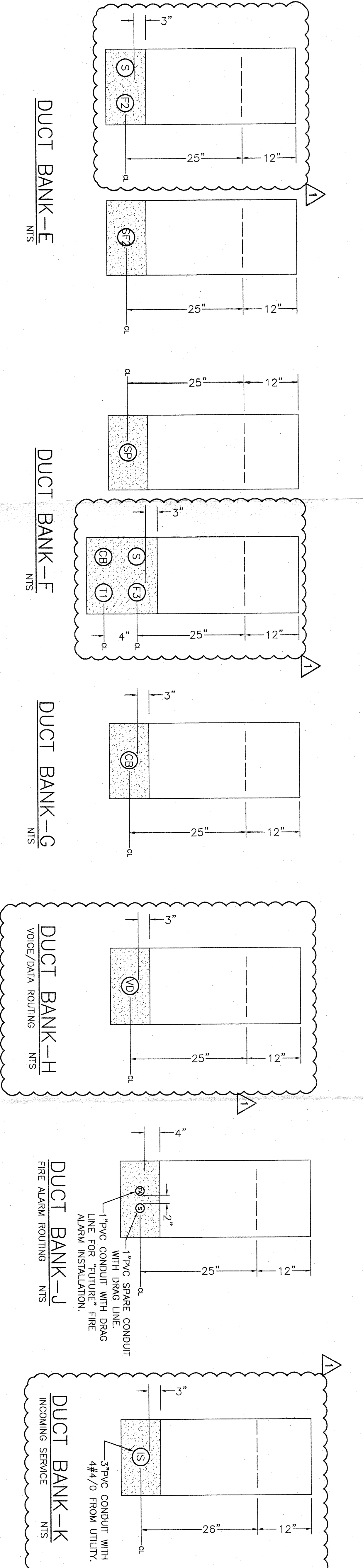
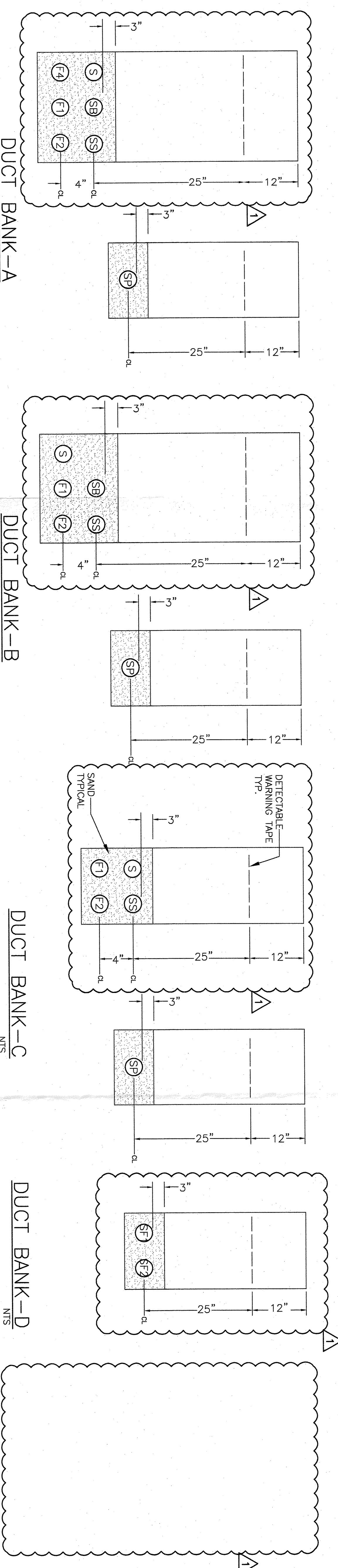
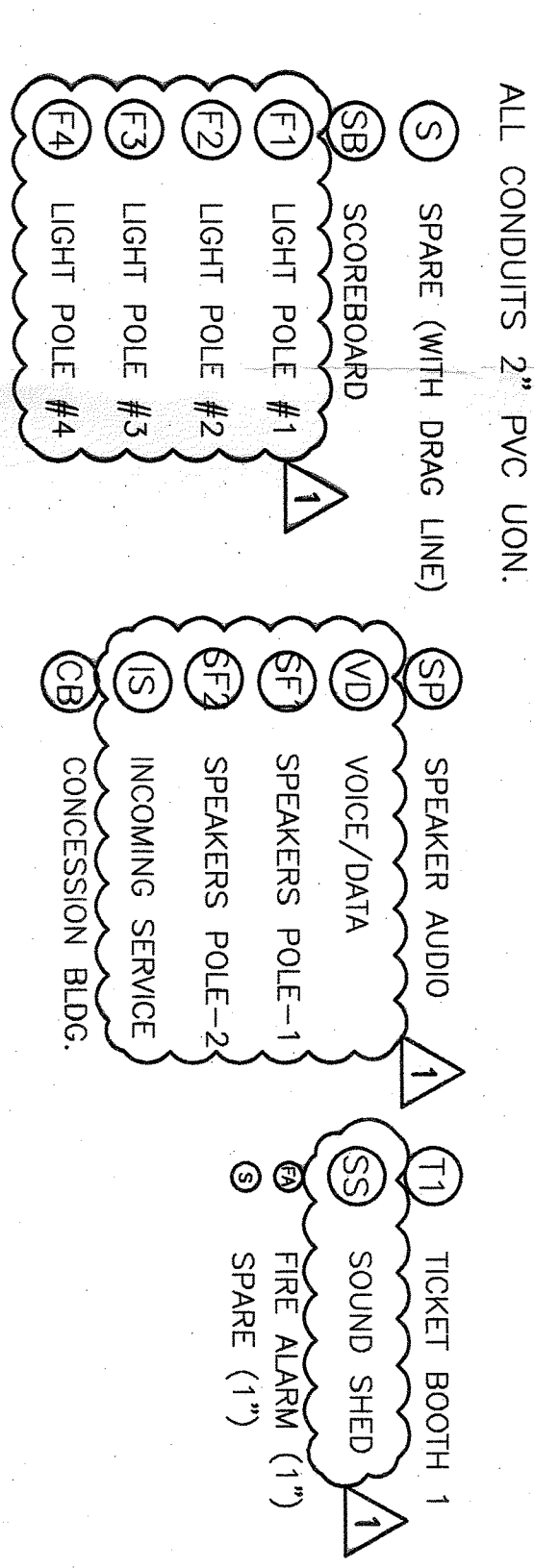


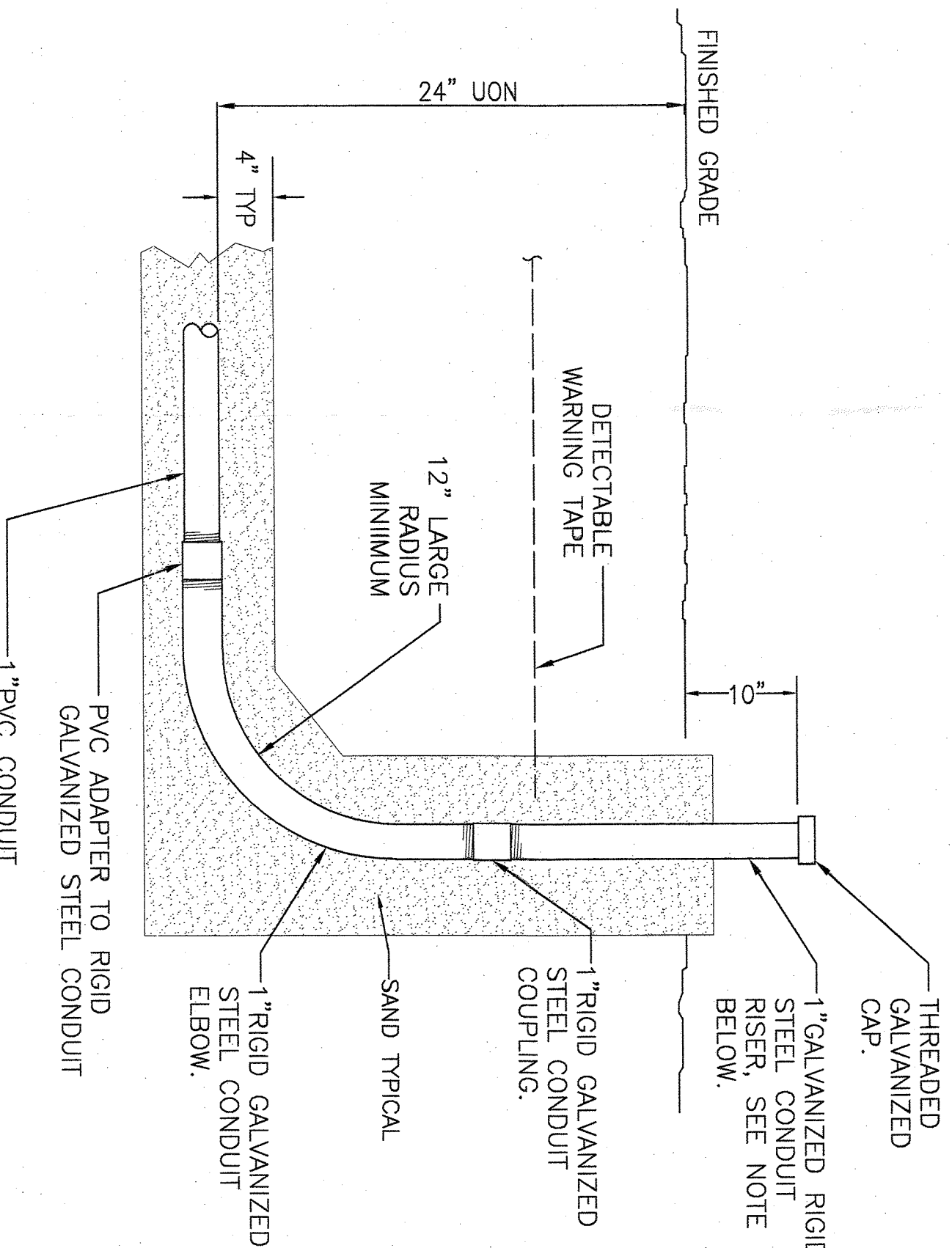
EXCAVATION NOTES:

1. THE CONTRACTOR SHALL LOCATE ALL EXISTING UTILITIES PRIOR TO START OF WORK AND NOTIFY THE OWNER OR HIS AUTHORIZED REPRESENTATIVE OF ANY DISCREPANCIES OR PROBLEMS THAT WILL INTERFERE WITH THE SATISFACTORY COMPLETION OF THE WORK.
2. THE CONTRACTOR SHALL TAKE ALL PRECAUTIONS TO AVOID OVER EXCAVATION AND DAMAGE TO EXISTING FOUNDATIONS, DAMAGE TO FOUNDATIONS OR UNDERMINING OF FOUNDATIONS SHALL BE REPORTED TO THE OWNER OR HIS REPRESENTATIVE IMMEDIATELY. ALL REQUIRED REPAIRS SHALL BE PERFORMED BY THE CONTRACTOR AT HIS PERSONAL EXPENSE.
3. THE CONTRACTOR SHALL BE RESPONSIBLE FOR PROVIDING TEMPORARY SERVICE FOR ALL UTILITIES THAT WILL BE BREACHED DUE TO HIS CONSTRUCTION OPERATIONS.
4. ALL EXCAVATION IN THE IMMEDIATE AREA OF THE EXISTING UTILITIES SHALL BE PERFORMED BY HAND.
5. UNDERGROUND UTILITY LINES SHOWN ON THE DRAWINGS WERE POSITIONED FROM RECORD DRAWINGS. VERIFICATION OF THE EXACT LOCATION SHALL BE THE RESPONSIBILITY OF THE CONTRACTOR.
6. ALL EXISTING PAVEMENT/UNPAVED AND LAWN/GRASS AREAS DISTURBED BY CONTRACTOR'S WORK WHICH WAS NOT SCHEDULED TO RECEIVE NEW PAVEMENT/UNPAVED AND LAWN/GRASS SHALL BE REPLACED WITH A PAVEMENT/UNPAVED AND LAWN/GRASS SECTION EQUAL TO OR BETTER THAN THE ORIGINAL.
7. TRENCHING OR EXCAVATION THAT AFFECTS ROADS, PARKING LOTS, DRIVEWAYS AND LAWN AREAS SHALL BE FULLY COORDINATED BETWEEN CONTRACTOR AND OWNER OR HIS AUTHORIZED REPRESENTATIVE A MINIMUM OF 5 DAYS PRIOR TO EXCAVATION. THE CONTRACTOR SHALL PROVIDE NON-SKID SURFACE STEEL ROAD-PLATES UNTIL THE VEHICLE/PERSONNEL/PUBLIC ROUTES ARE PERMANENTLY REPAIRED. EXCAVATION AND REPAIRS THAT WILL TRAVERSE COMPLETELY ACROSS VEHICLE ROUTES SHALL BE SCHEDULED IN STAGES TO ALLOW CROSSING OF VEHICLES/PERSONNEL/PUBLIC UNTIL ROAD PLATES AND/OR PERMANENT REPAIRS ARE IN PLACE. EXCAVATED DIRT/AGGREGATES USED FOR BACKFILLING EXCAVATED TRENCHES WASHED OUT BY UNEXPECTED RAIN OR SIMILAR INCIDENT SHALL BE REPLACED BY CONTRACTOR AT NO COST TO THE OWNER.
8. ALL EXCAVATION OVER 5 FEET IN DEPTH SHALL BE PROVIDED WITH TEMPORARY SHEETING AND SHORING. PROVIDE BARRICADES, WARNING SIGNS AND LIGHTS AT AREAS SUBJECT TO PEDESTRIANS, PUBLIC, PERSONNEL AND TRAFFIC ACTIVITIES IN COMPLIANCE WITH OSHA CONSTRUCTION AND SAFETY STANDARDS. KEEP CONSTRUCTION DEBRIS CLEAR OF TRAFFIC AREAS.
9. UNDERGROUND CONDUIT SHALL BE CONCRETE ENCASED WHEN THE FOLLOWING CONDITIONS EXIST:
 - A. CONDUITS PASS UNDER ROADS.
 - B. CONDUITS PASS UNDER DRIVEWAYS.
 - C. CONDUITS PASS UNDER PARKING AREAS.
 - D. CONDUITS PASS UNDER RAILROAD TRACKS.
 - E. BEND POINTS MIGHT BE SUBJECT TO MOVEMENT.
10. ELECTRIC MANHOLES, ELECTRIC HANDHOLES AND UNDERGROUND DUCTBANK LOCATIONS SHOWN ON THE PLANS ARE SHOWN UNCORRECTED AND SCHEMATICALLY. EXISTING FIELD CONDITIONS OF EXISTING UNDERGROUND UTILITIES TO REMAIN SHALL REQUIRE CONTRACTOR TO RUN PROPOSED UNDERGROUND ELECTRIC DUCT BANKS IN SEPARATE TRENCHES.

DUCT BANK LEGEND:



DUCTBANK DETAILS

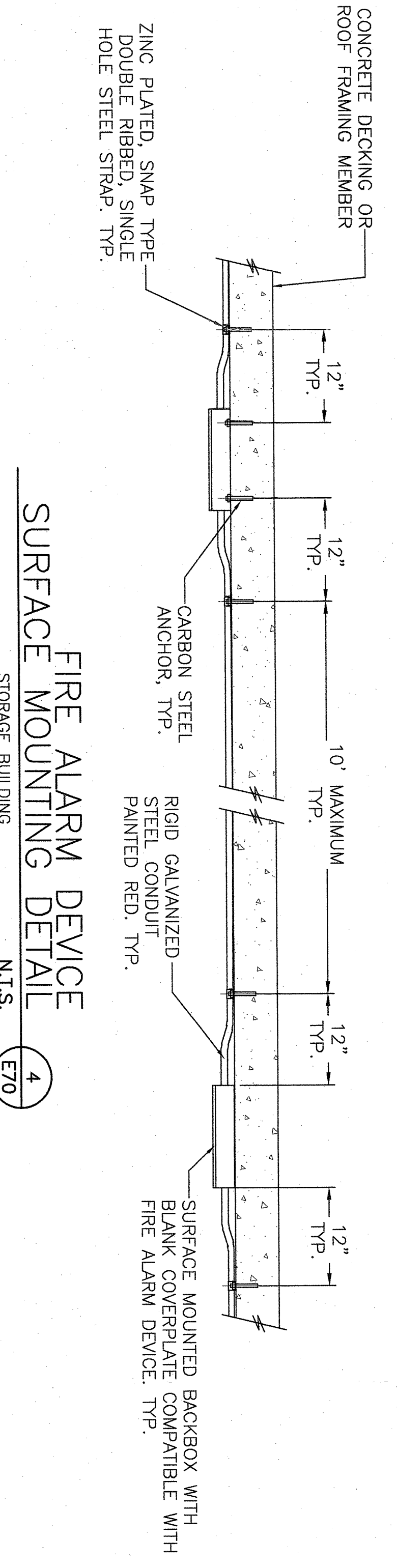
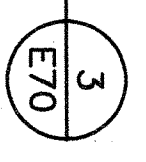


- NOTE:**
1. STUB-UP EXACT LOCATION SHALL BE COORDINATED IN FIELD WITH OWNER OR HIS REPRESENTATIVE BEFORE INSTALLATION.
 2. REFER TO DUCTBANK DETAIL "3" THIS DRAWING FOR ADDITIONAL INFORMATION.

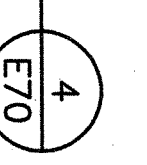
SENSOR CONTROL SCHEMATIC



FIRE ALARM CONDUIT STUB-UP AT BUILDING



FIRE ALARM DEVICE SURFACE MOUNTING DETAIL



NOTES:

1. REFER TO DRAWING NUMBER E00 FOR GENERAL NOTES, CONDUIT, WIRE AND GROUNDING.
2. REFER TO DRAWING NUMBER E01 FOR ELECTRICAL SITE PLAN.
3. PROVIDE PULL WIRES IN ALL EMPY CONDUITS.
4. CONTRACTOR TO PROVIDE PANEL AND CIRCUIT INFORMATION AT ALL NEW DEVICES INSTALLED AND UPDATE PANEL LISTINGS.

NUDGE STATE PROJECT NO.: 4130-050-19-4000

REV	DESCRIPTION	DATE
1	ISSUED FOR ADDENDUM #1	19 NOV 2019
0	ISSUED FOR BID AND CONSTRUCTION	4 NOV 2019

EI Associates
ARCHITECTS & ENGINEERS, P.A.
9 INDUSTRIAL AVENUE, SUITE 200, NEW JERSEY 07033

ROBERT E. MARSHALL, P.E.
PROFESSIONAL ENGINEER
LICENSE NO. NJ 38981

SCALE	PROJECT	EA DRAWING NO.
AS SHOWN	PISCATAWAY HIGH SCHOOL BLEACHERS, FIELD LIGHTING & STORAGE FACILITY REPLACEMENT NEW JERSEY	E70
DESIGNED BY	PISCATAWAY	
CHECKED BY		
DATE		