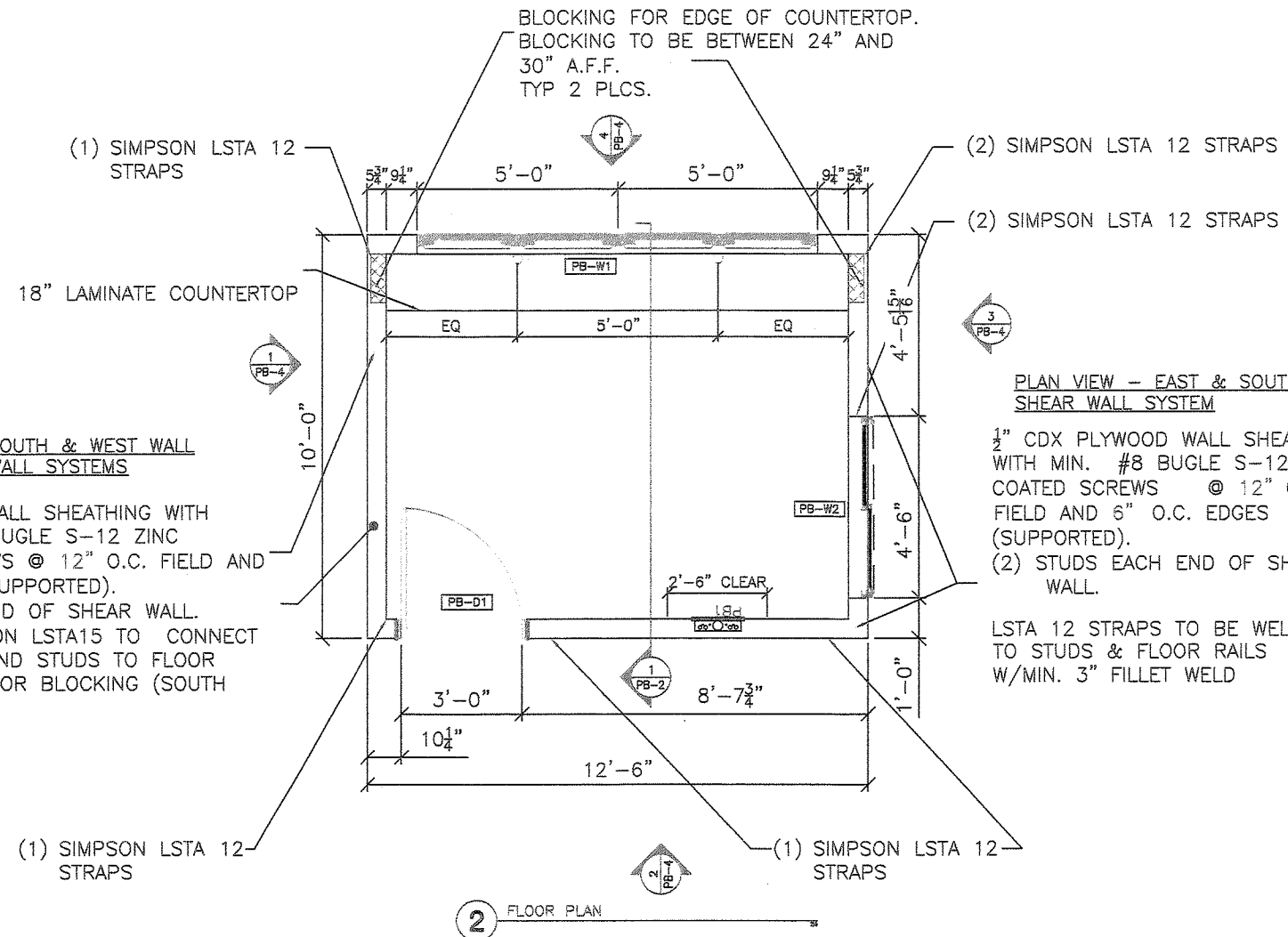


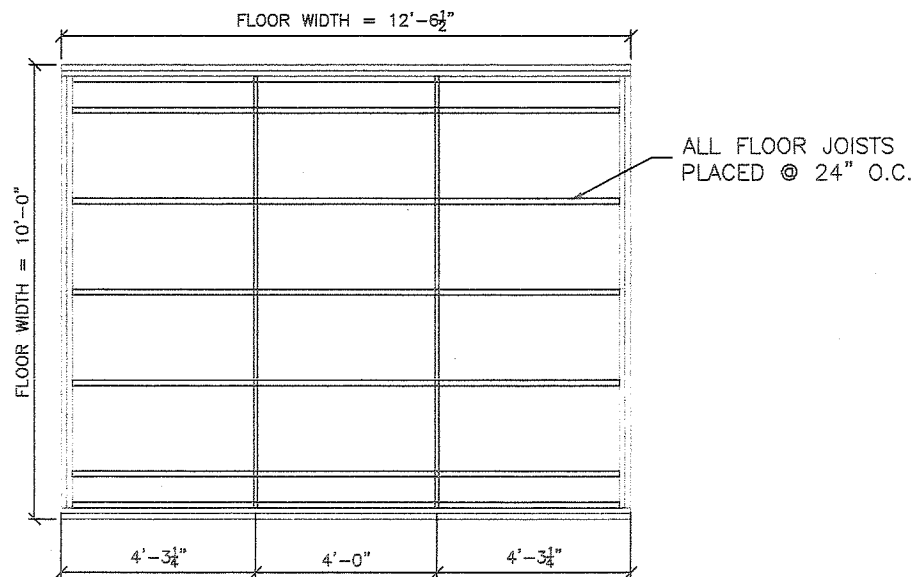
1 ROOF FRAMING PLAN

PLAN VIEW - SOUTH & WEST WALL SHEAR WALL SYSTEMS

1/2" CDX PLYWOOD WALL SHEATHING WITH MINIMUM, #8 BUGLE S-12 ZINC COATED SCREWS @ 12" O.C. FIELD AND 6" O.C. EDGES (SUPPORTED).
 (2) STUDS EACH END OF SHEAR WALL.
 PROVIDE (1) SIMPSON LSTA15 TO CONNECT SHEAR WALL END STUDS TO FLOOR RAILS AND FLOOR BLOCKING (SOUTH WALL ONLY)

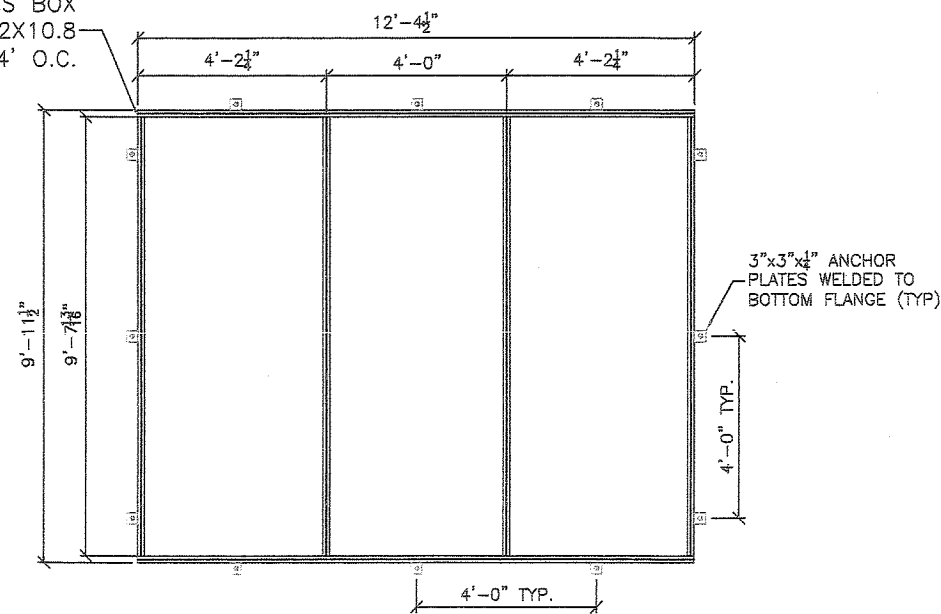


2 FLOOR PLAN



3 FLOOR FRAMING PLAN

JR. I BEAM M12X10.8 PERIMETER @ PRESS BOX UNDERSTRUCTURE W/ M12X10.8 CROSSMEMBERS @ ROUGHLY 4' O.C.



5 STEEL UNDERSTRUCTURE FRAMING PLAN

PLAN VIEW - EAST & SOUTH WALLS SHEAR WALL SYSTEM

1/2" CDX PLYWOOD WALL SHEATHING WITH MIN. #8 BUGLE S-12 ZINC COATED SCREWS @ 12" O.C. FIELD AND 6" O.C. EDGES (SUPPORTED).
 (2) STUDS EACH END OF SHEAR WALL.

LSTA 12 STRAPS TO BE WELDED TO STUDS & FLOOR RAILS W/MIN. 3" FILLET WELD

PISCATAWAY HS
PISCATAWAY, NJ

DANT CLAYTON CORPORATION
1163 Algonquin Pkwy
Louisville, KY 40208
Telephone (502) 694-3626
WWW.DANTCLAYTON.COM

NO.	REV.	DESCRIPTION	DATE
A			
B			
C			
D			
E			

PB-1

0264453

* 2044