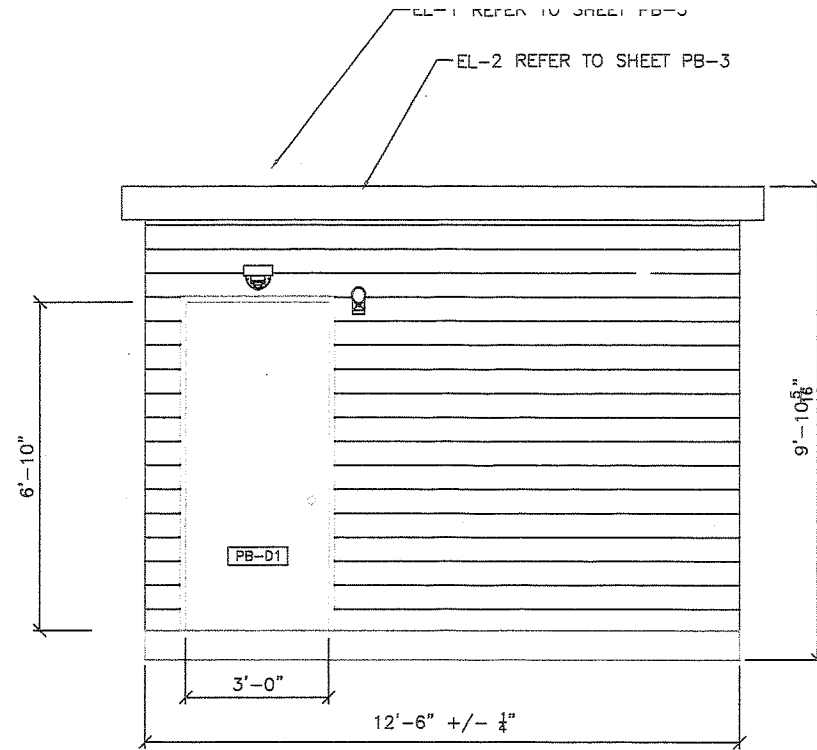
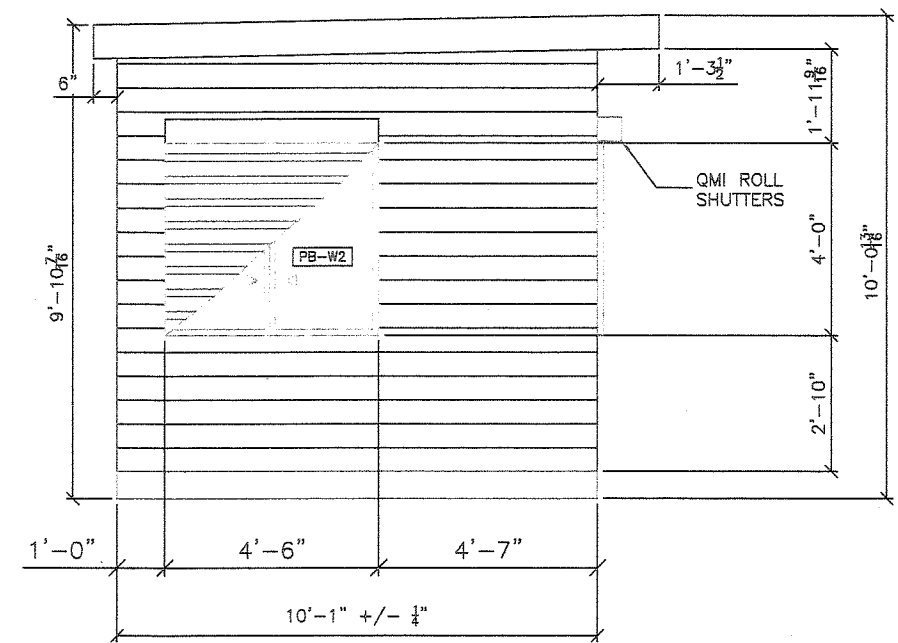


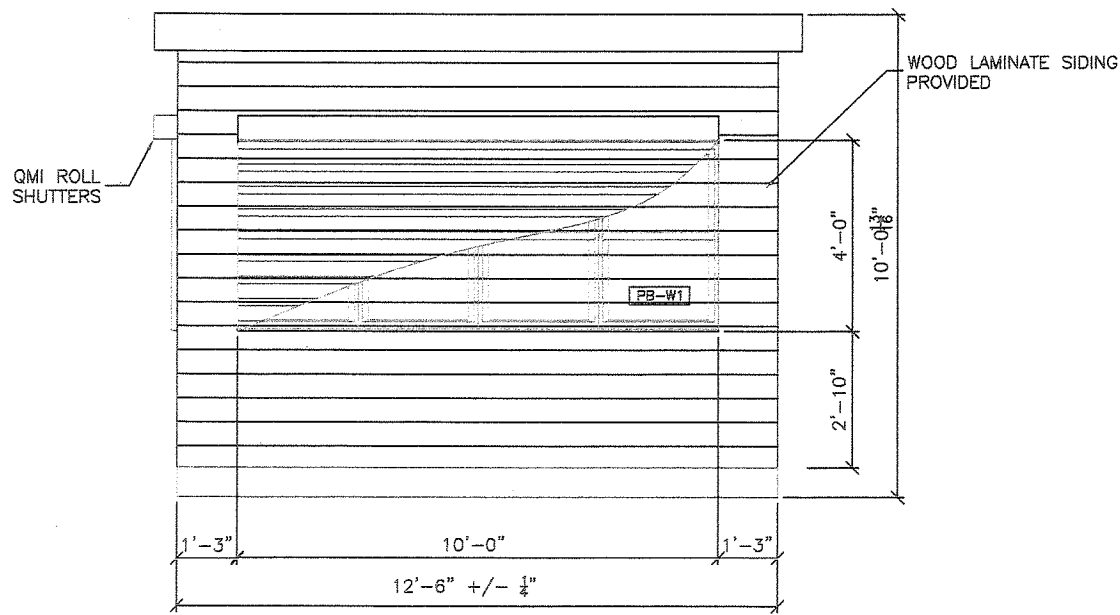
1 SIDE ELEVATION



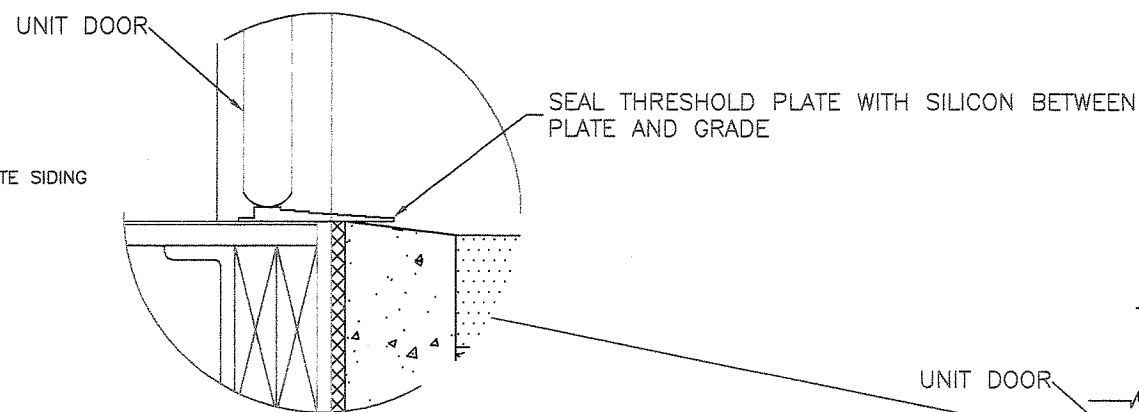
2 REAR ELEVATION



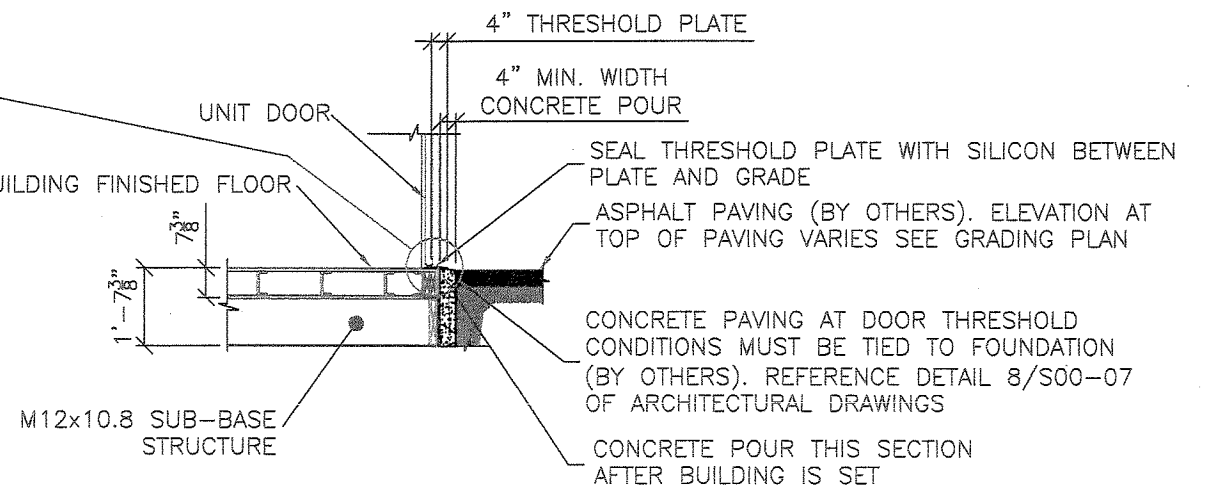
3 SIDE ELEVATION



4 FRONT ELEVATION



6 THRESHOLD CONDITION DETAIL  
SCALE 7X



5 THRESHOLD CONDITION DETAIL

DOOR SCHEDULE

KEY	WIDTH	HEIGHT	THICKNESS	TYPE	MATERIAL	FRAME MATERIAL	FIRE RATING
PB-D1	3'-0"	7'-0"	0'-1 3/4"	3	STEEL	STEEL	

WINDOW SCHEDULE

KEY	WIDTH	HEIGHT	TYPE	FRAME	U-FACTOR	SHGC
PB-W1	10'-0"	4'-0"	DOUBLE HUNG	ALUM	.45	.31
PB-W2	4'-6"	4'-0"	DOUBLE SLIDER	ALUM	.45	.31

PB-W1 - WINTech "7000 SERIES" DOUBLE HUNG VERTICAL SLIDER WINDOW W/ EXTRUDED ALUMINUM FRAMES, AAMA LC-25 STRUCTURAL RATING, W/ 3/4" INSULATED LOW-E, ARGON FILLED TEMPERED GLASS AND REMOVABLE INSECT SCREENS.

PB-W2 - WINTech "6000 SERIES" DOUBLE HORIZONTAL SLIDER WINDOW W/ EXTRUDED ALUMINUM

**PB-4**  
**#2644**