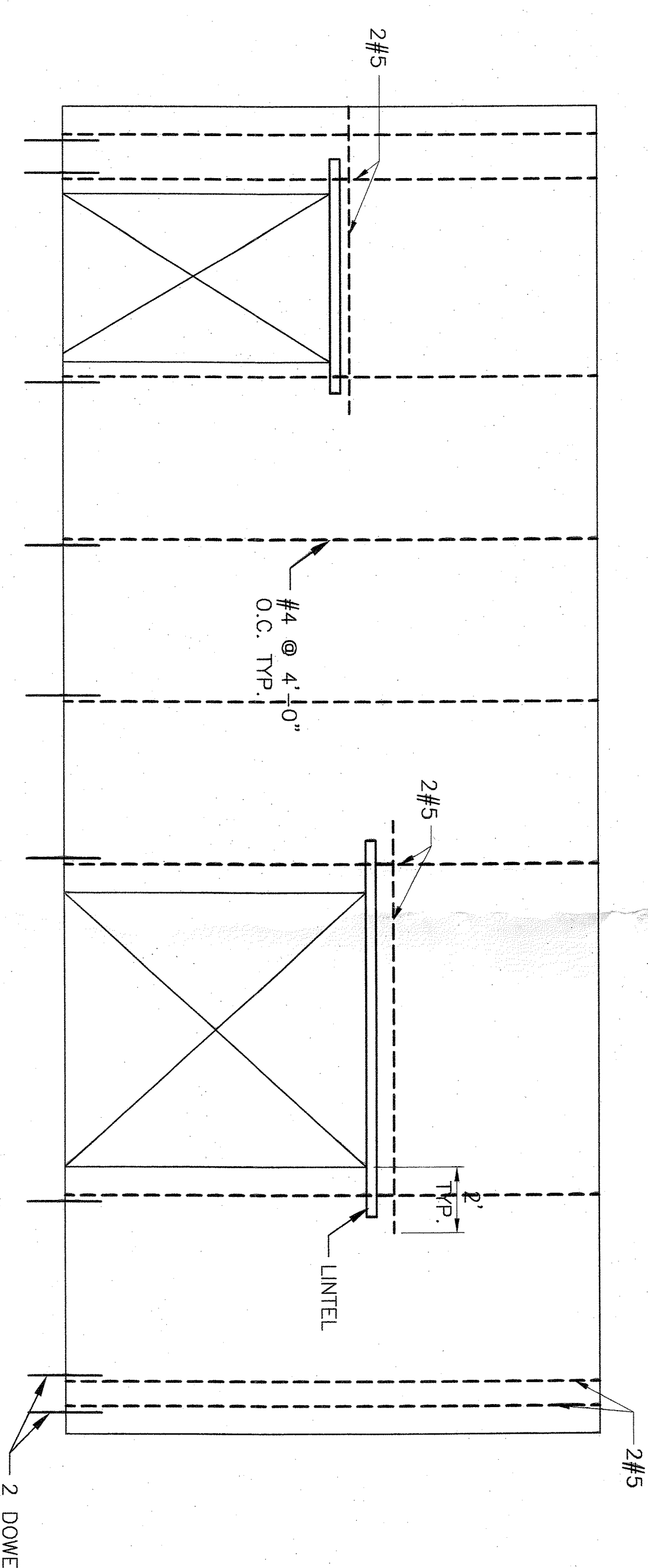
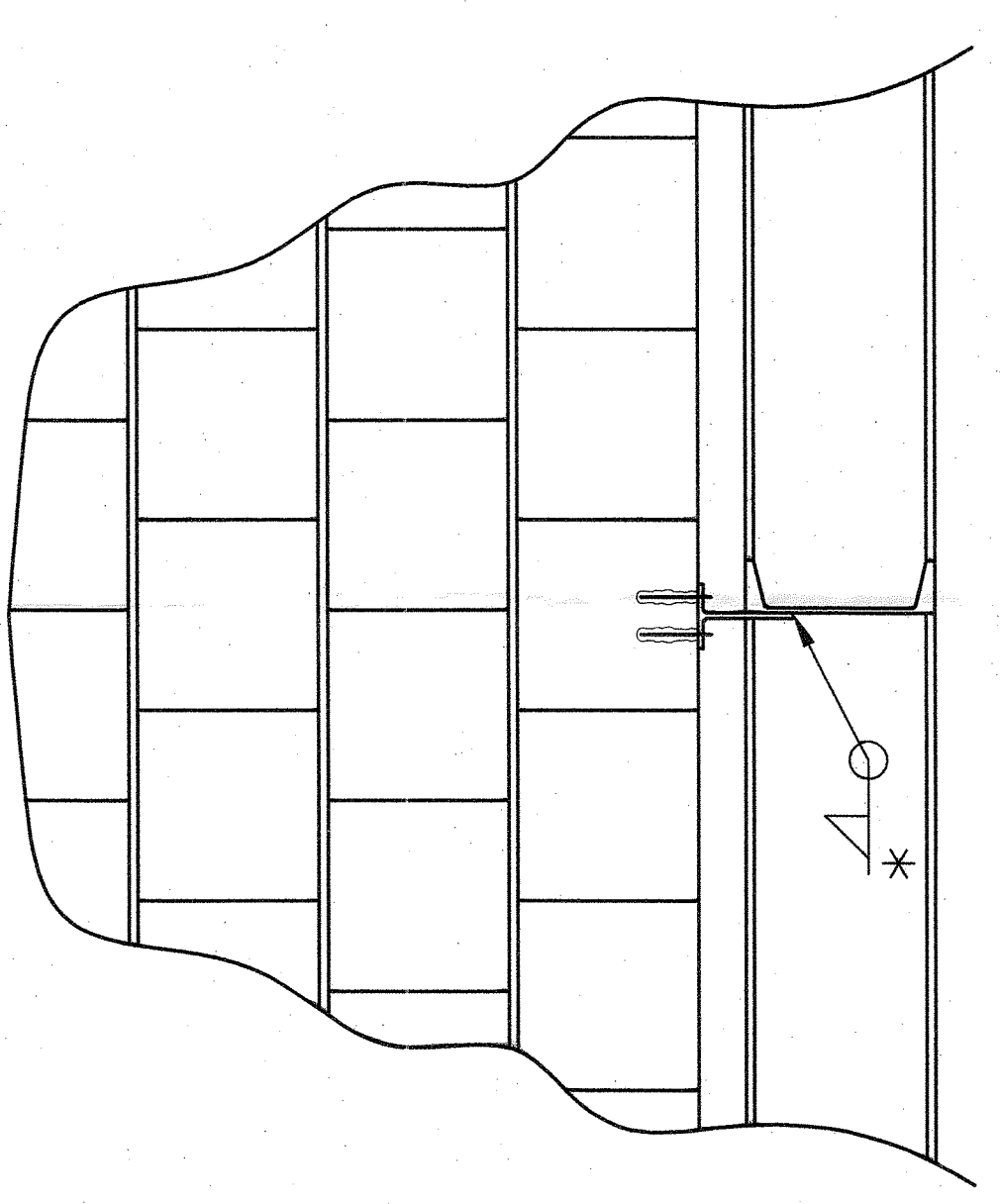


ROOF PLAN  
1  
1/8"=1'-0"



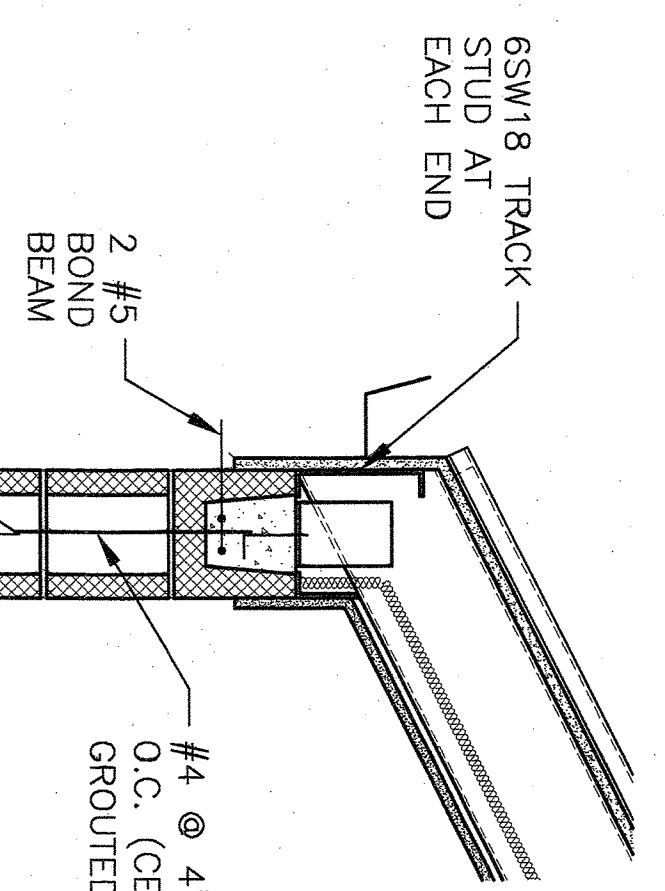
TYPICAL ADDITIONAL REINFORCING STEEL  
DETAILS IN WALL AROUND OPENINGS AND  
CORNERS FOR EXTERIOR AND INTERIOR WALLS

LINTEL SCHEDULE		
TYPE	SIZE	REMARKS
LB-1	8"x16" PRE CAST CONCRETE	1'-4" BEARING AT EACH END
WIDTH OF M.O.		
SEE ELEV.		

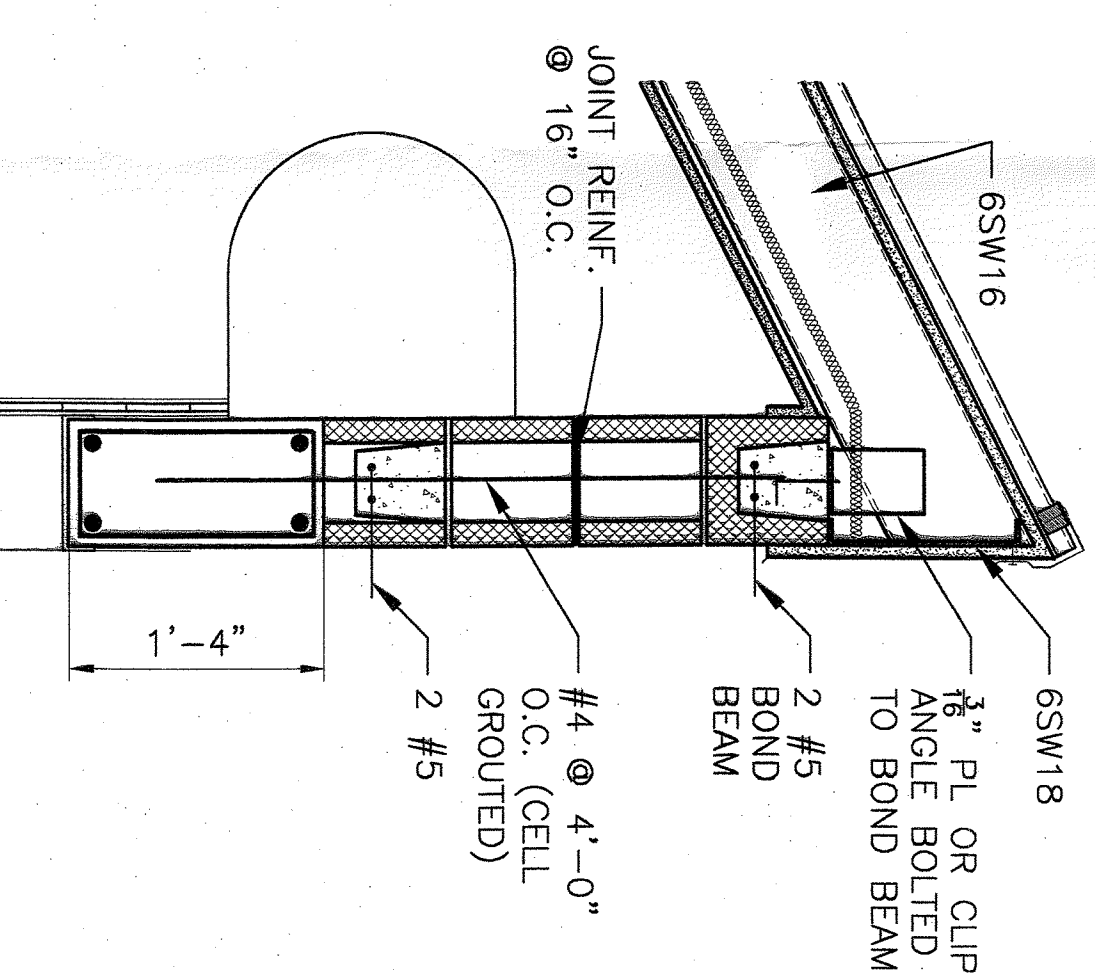


DETAIL  
1  
N.T.S.

\* CLIP L OR PL. TO BE WELDED OR BOLTED



DETAIL  
2  
1"=1'-0"



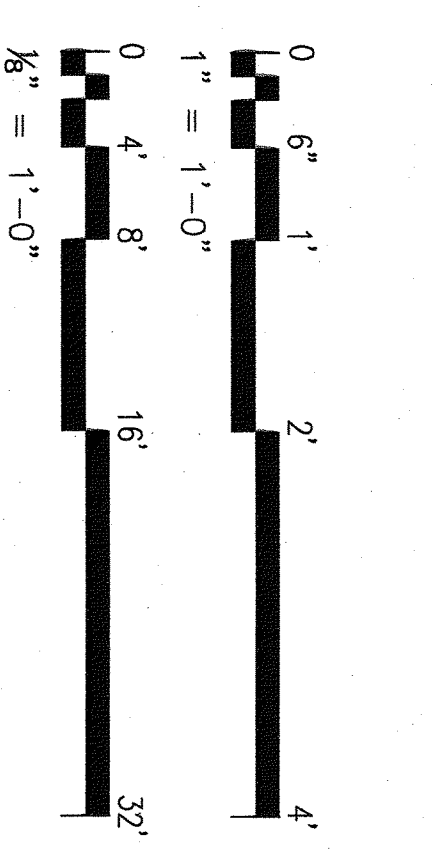
DETAIL  
3  
1"=1'-0"

NOTES:

1. COLD FORMED FRAMING:
2. ALL STRUCTURAL MEMBERS SHALL BE IN CONFORMANCE WITH THE SPECIFICATION FOR THE DESIGN OF COLD-FORMED STRUCTURAL MEMBERS.
3. LIGHT GAGE METAL FRAMING LOCATIONS AS SHOWN ON THIS DRAWING SHALL BE GALVANIZED (F<sub>y</sub>=50,000 FSI)
4. UNLESS NOTED OTHERWISE ALL CONNECTIONS SHALL BE AS PER MARINWARE OR OTHER LIGHT GAGE MANUFACTURING STANDARDS.
5. POLYCEM CEMDECK SHALL HAVE 1 HOUR FIRE RATING.
6. ROOF SHEATHING SHALL BE FASTENED TO THE METAL DECK WITH FLAT HEAD SINKER NAILS OR #10 SCREWS @ 12" O.C. WITH MIN. 3 THREADS PROTRUDING THROUGH STEEL.
7. TEMPORARY BRACING SHALL BE PROVIDED AND REMAIN IN PLACE UNTIL WORK IS PERMANENTLY STABILIZED.
8. CONTRACTOR SHALL PREPARE DETAILED FABRICATION DRAWING FOR OWNERS APPROVAL. STIFFENERS, CONNECTIONS AND ANY SECONDARY MEMBERS REQUIRED AS PER CODE AND MANUFACTURERS RECOMMENDATION SHALL BE PROVIDED TO MEET WITH THE LOADING REQUIREMENTS NOTED ABOVE.
9. WORK THIS DRAWING WITH THE ARCHITECTURAL DRAWINGS.
10. METAL DECK SHALL BE 1 1/2" TYPE B GA 20.
11. FOR GENERAL NOTES SEE DWG. S00.

DESIGN LOAD

DEAD LOAD: DL	= 3.0 PSF
CEMDECK	= 2.0 PSF
CEILING BELOW JOIST	= 2.0 PSF
METAL JOIST	= 2.0 PSF
MISC	= 2.0 PSF
<b>TOTAL DL</b>	<b>= 12.0 PSF</b>
LIVE LOAD: LL	= 30.0 PSF
<b>TOTAL (DL + LL)</b>	<b>= 42.0 PSF</b>



NJDOE STATE PROJECT NO.: 4130-050-19-4000

SCALE: AS NOTED	PROJECT: PISCATAWAY HIGH SCHOOL BLEACHERS, FIELD LIGHTING & STORAGE FACILITY REPLACEMENT NEW JERSEY	EA DRAWING NO. S11
DRAWN BY: [Signature]	PROJECT: PISCATAWAY HIGH SCHOOL BLEACHERS, FIELD LIGHTING & STORAGE FACILITY REPLACEMENT NEW JERSEY	EA PROJECT NO. ES9831.01
DESIGNED BY: [Signature]	PROJECT: PISCATAWAY HIGH SCHOOL BLEACHERS, FIELD LIGHTING & STORAGE FACILITY REPLACEMENT NEW JERSEY	
CHECKED BY: [Signature]	PROJECT: PISCATAWAY HIGH SCHOOL BLEACHERS, FIELD LIGHTING & STORAGE FACILITY REPLACEMENT NEW JERSEY	
APPROVED BY: [Signature]	PROJECT: PISCATAWAY HIGH SCHOOL BLEACHERS, FIELD LIGHTING & STORAGE FACILITY REPLACEMENT NEW JERSEY	
TITLE: ROOF PLAN, SECTIONS AND DETAILS	PROJECT: PISCATAWAY HIGH SCHOOL BLEACHERS, FIELD LIGHTING & STORAGE FACILITY REPLACEMENT NEW JERSEY	

**RI Associates**  
ARCHITECTS & ENGINEERS, P.A.  
9 MONROE AVENUE SUITE 100  
PISCATAWAY, NJ 08854-3200  
PH: 908-772-7373

PROFESSIONAL ENGINEER  
LICENSE NO. NJ 0649418

SVED A. HUSSAIN, P.E.

STRUCTURAL