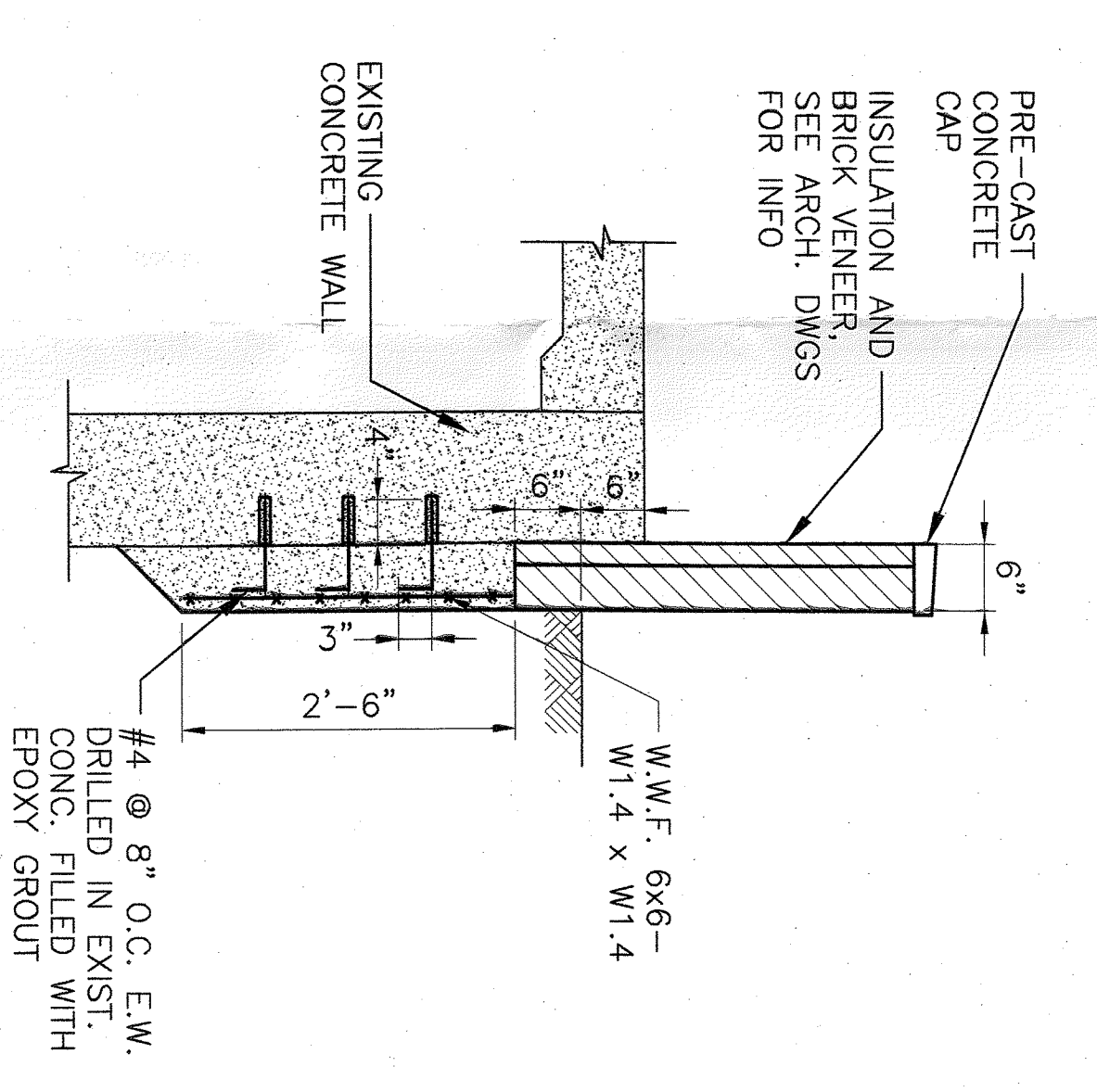
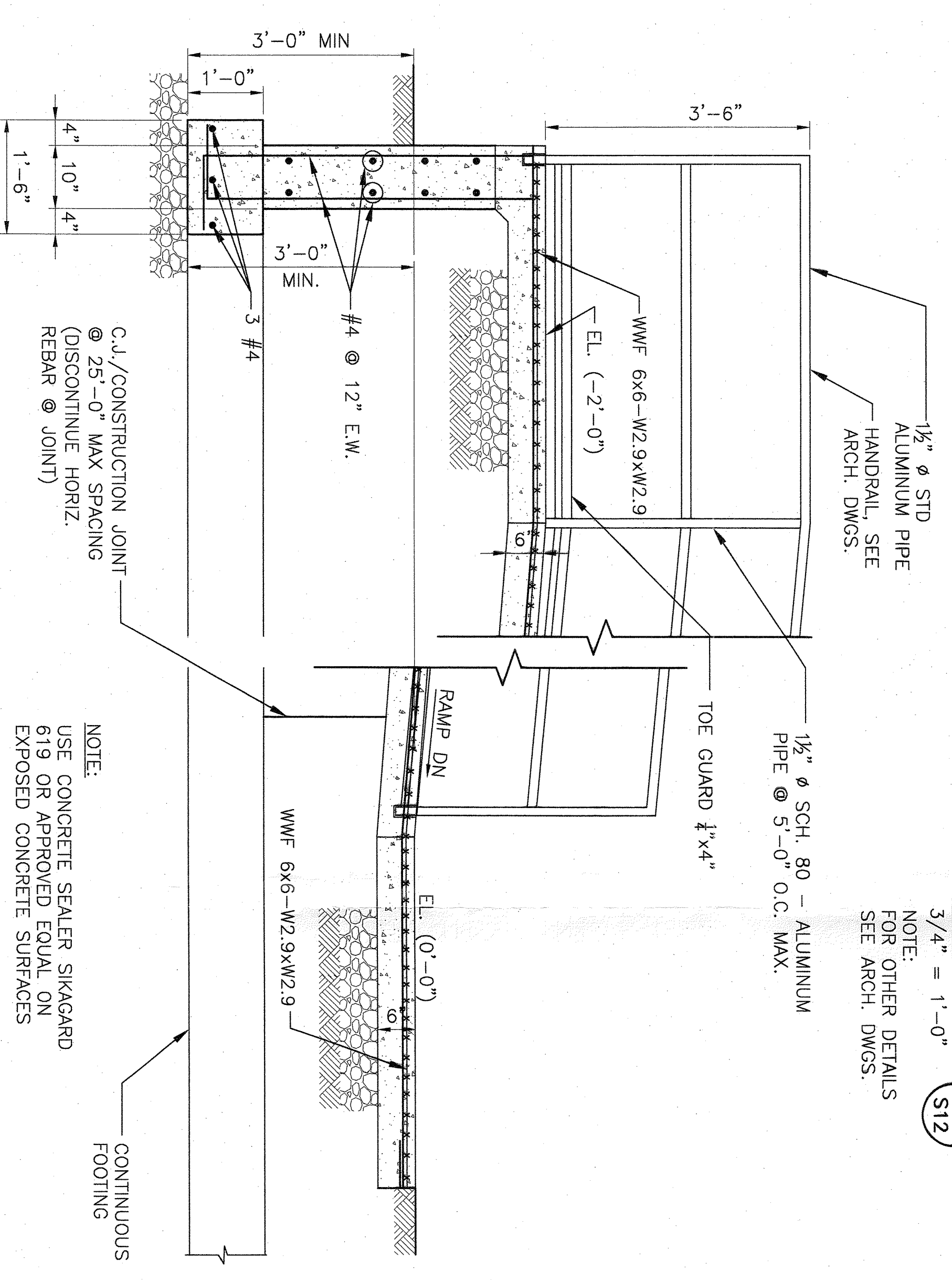


PARTIAL FIRST FLOOR PLAN  
3/8" = 1'-0" (S12)

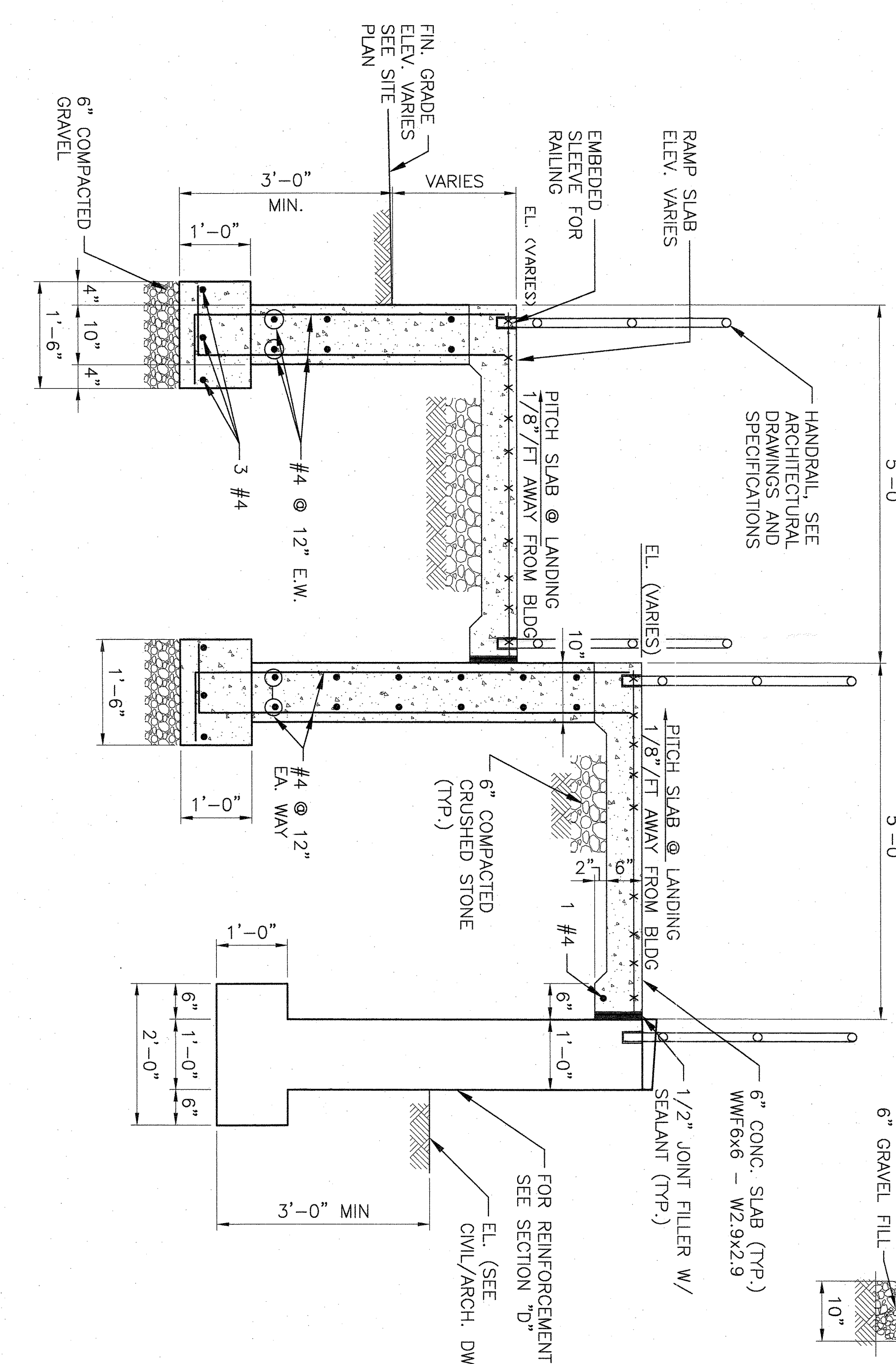
- NOTES:**
- FOR GENERAL NOTES AND SPECIFICATIONS, SEE DWG. S00.
  - LEGEND:
    - (E) DENOTES EXISTING
    - (N) DENOTES NEW
  - USE CONCRETE SEALER SIKAGARD 619 OR APPROVED EQUAL ON EXPOSED CONCRETE SURFACE
  - WORK THIS DWG IN CONJUNCTION WITH ARCH. DWG. (A)



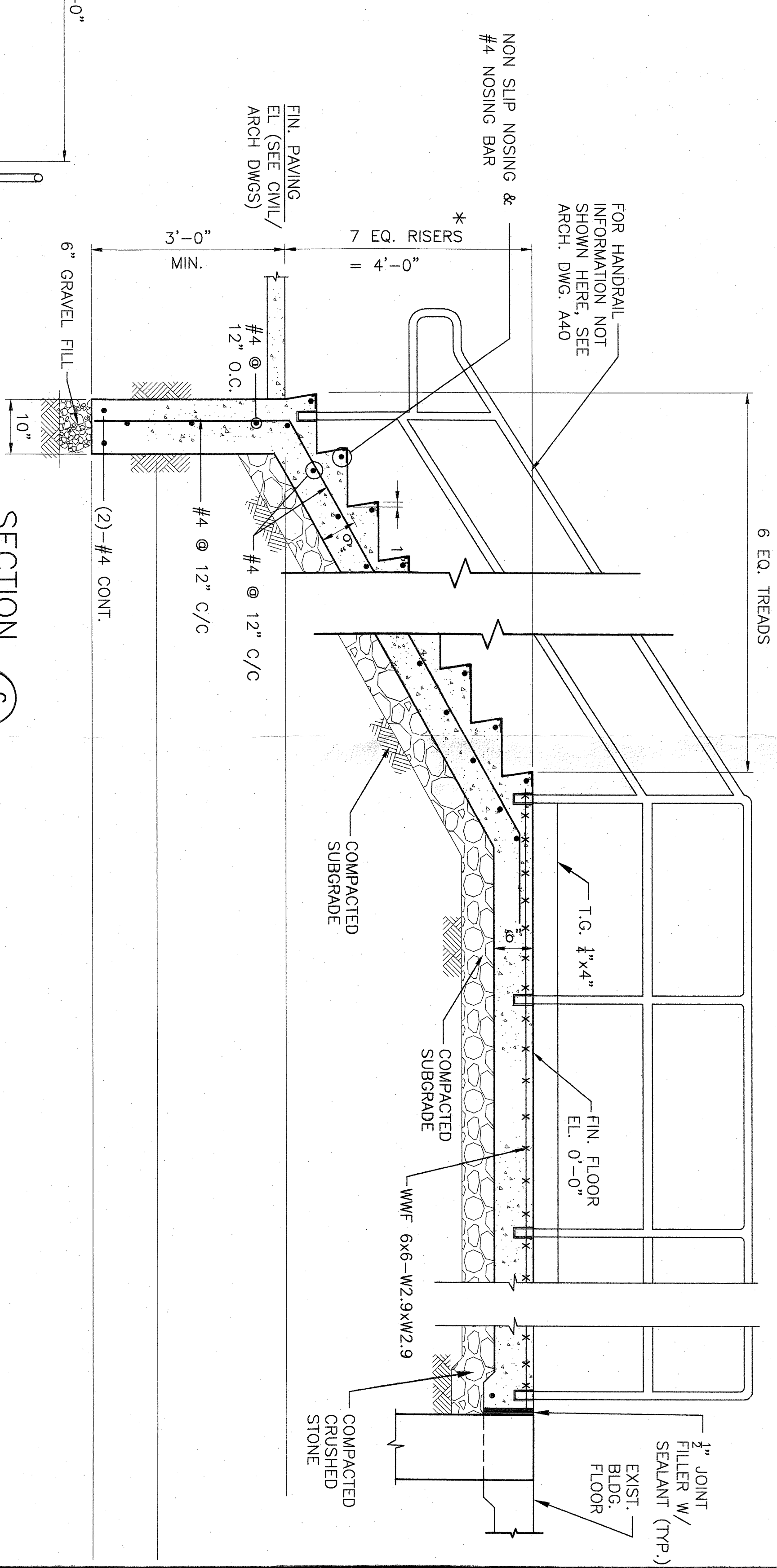
SECTION E  
3/4" = 1'-0" (S12)



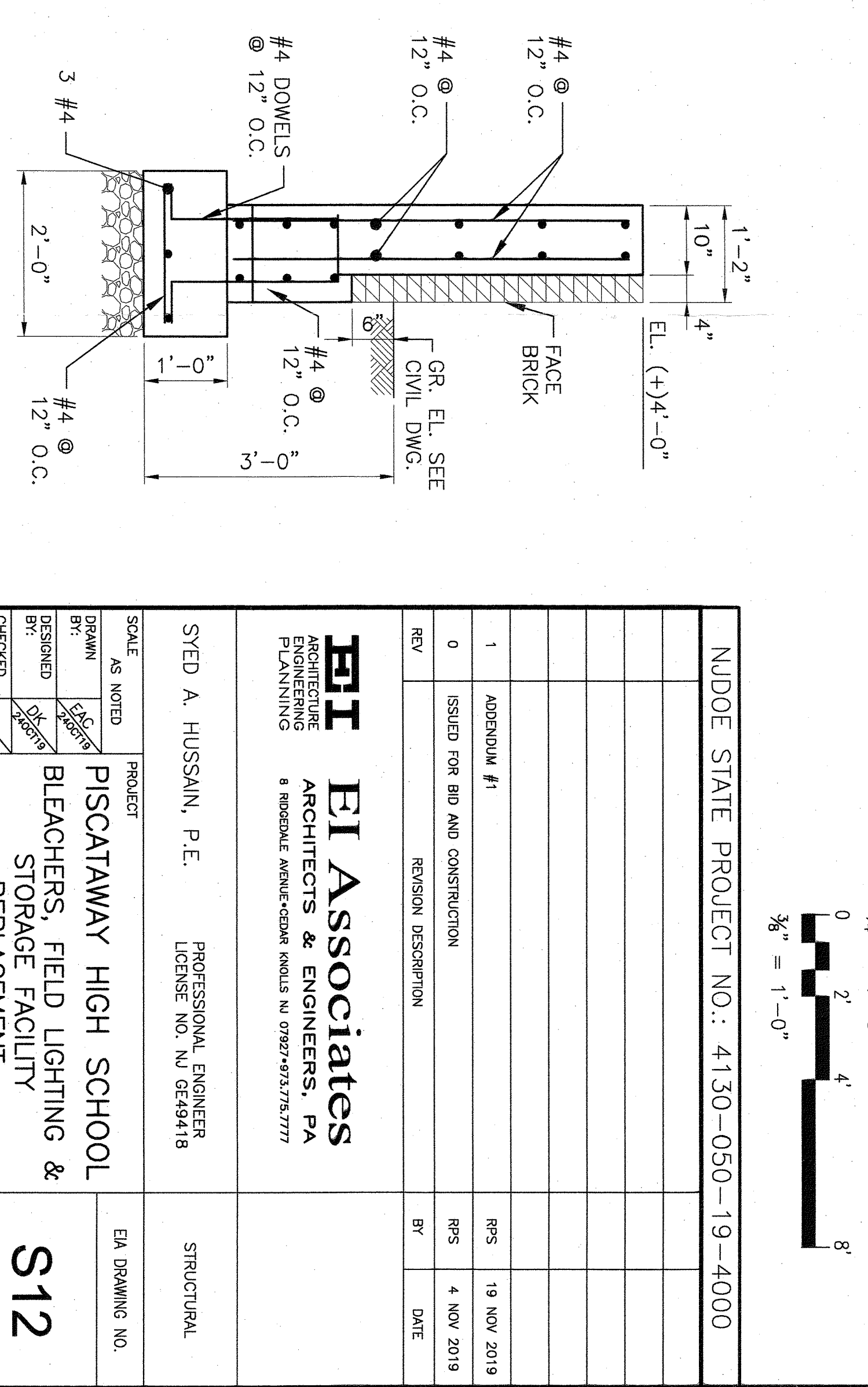
SECTION B  
3/4" = 1'-0" (S12)



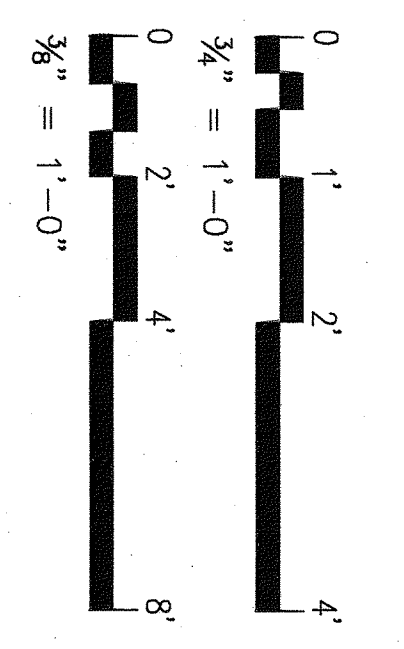
SECTION A  
3/4" = 1'-0" (S12)



SECTION C  
3/4" = 1'-0" (S12)



SECTION D  
3/4" = 1'-0" (S12)



NUDGE STATE PROJECT NO.: 4130-050-19-4000

NO.	REVISION DESCRIPTION	DATE
1	ADDENDUM #1	19 NOV 2019
0	ISSUED FOR BID AND CONSTRUCTION	4 NOV 2019

**EI Associates**  
ARCHITECTS & ENGINEERS, PA  
9 BOGUESS AVENUE SUITE 100 PHILADELPHIA, PA 19106  
PH: 215-381-1234 FAX: 215-381-1235

**SYED A. HUSSAIN, P.E.**  
PROFESSIONAL ENGINEER  
LICENSE NO. N.E. 053919

**STRUCTURAL**

SCALE	PROJECT	EA DRAWING NO.
AS NOTED	PISCATAWAY HIGH SCHOOL BLEACHERS, FIELD LIGHTING & STORAGE FACILITY REPLACEMENT	S12
DRAWN BY: [Signature]		
DESIGNED BY: [Signature]		
CHECKED BY: [Signature]		
APPROVED BY: [Signature]		
PROJECT MANAGER	PISCATAWAY HIGH SCHOOL BLEACHERS, FIELD LIGHTING & STORAGE FACILITY REPLACEMENT	EA PROJECT NO. ESR531.01